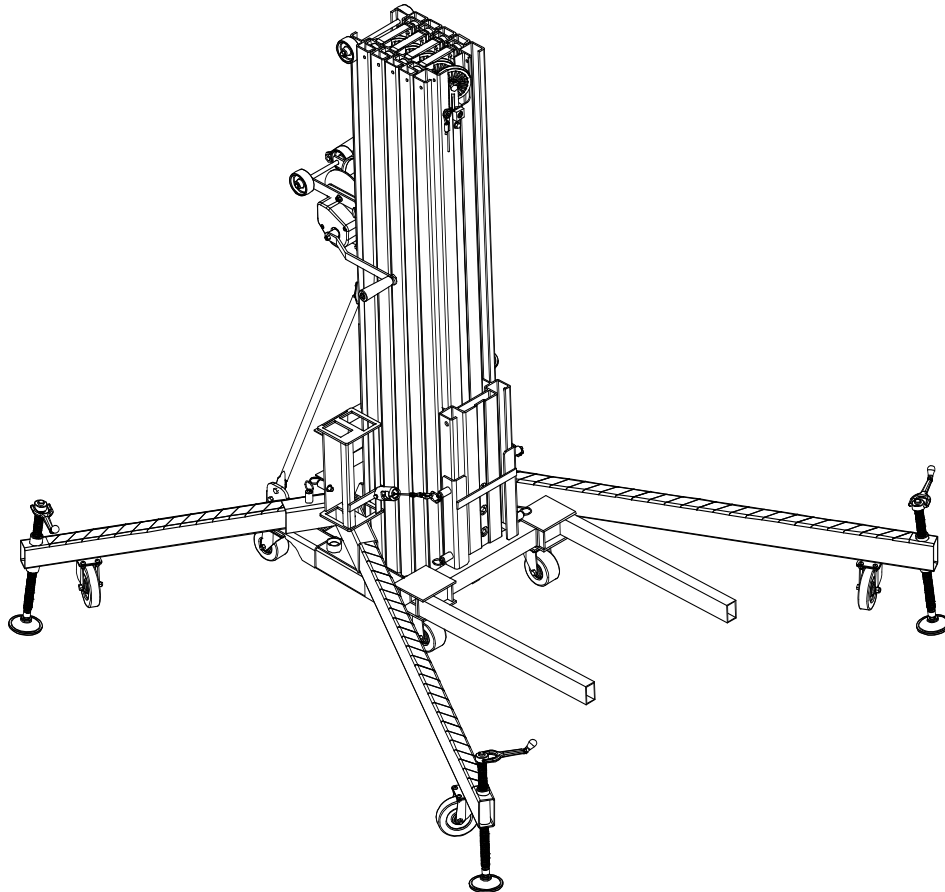

PARTS MANUAL

EVENTER 20 & 25

Serial # 1899 & Under



SUMNER[®]

USA:

7514 Alabonson Rd.
Houston, TX 77088
tel: 281-999-6900
fax: 281-999-6966

CANADA:

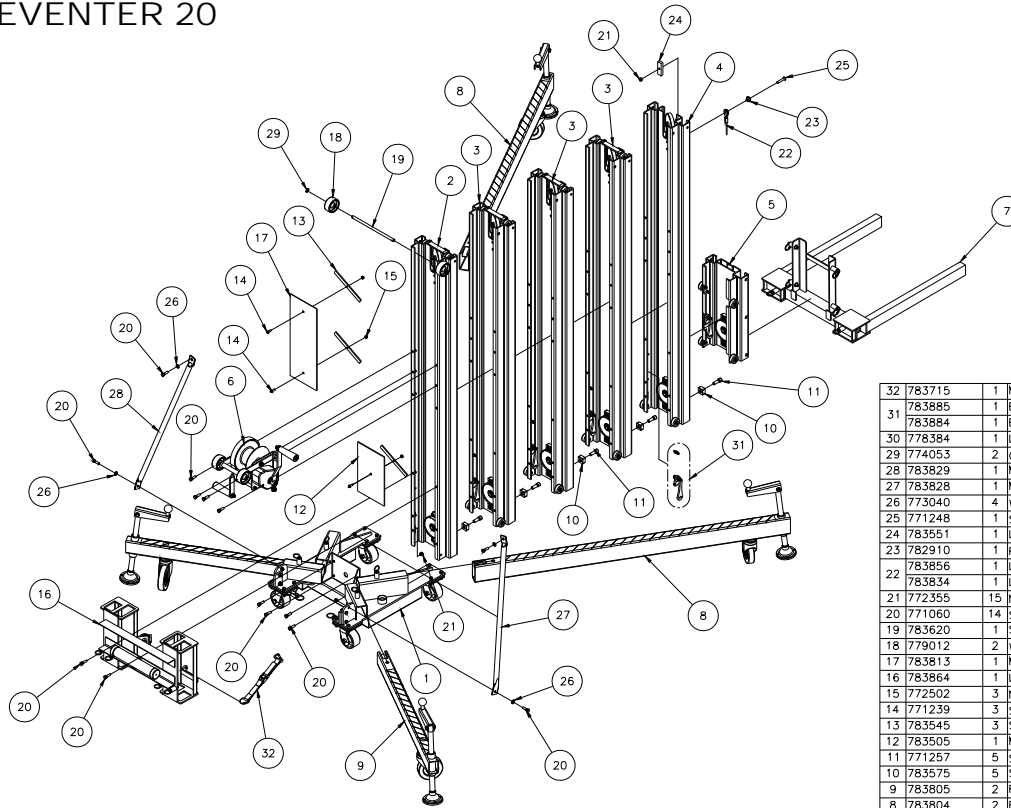
470 Collier MacMillan Drive
Unit 2 & 3
Cambridge, ON N1R 5Y7
tel: 519-623-2300
fax: 519-623-0744

UK:

Unit 16A
Blackpole Trading Estate East
Blackpole Road
Worcester, WR3 8SG
tel: +44 (0)1905 458333
fax: +44(0)1905 458222

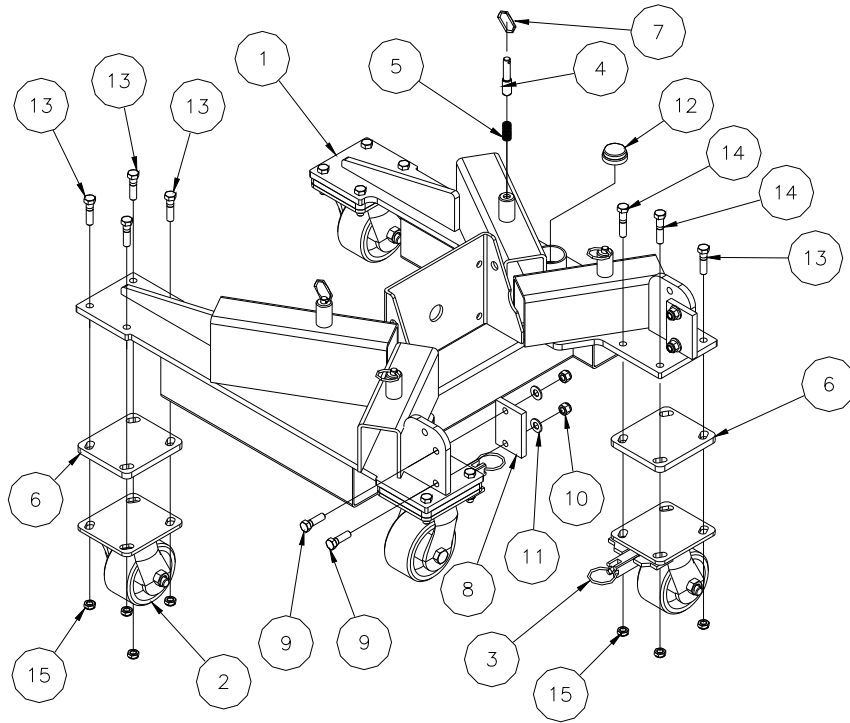
EVENTER 20 / 25 LIFT ASSEMBLY

783800 - EVENTER 25
783801 - EVENTER 20



32	783715	1	MAST HOLD DOWN ASSY.
	783885	1	BRAKE KIT FOR 2025, EVENTER 25
31	783884	1	BRAKE KIT 2020, 2124, EVENTER 20
30	778384	1	LABEL KIT, EVENTER
29	774053	2	COTTER, CIRCLE Z/P .048 X 3/4
28	783829	1	MAST BRACE, LH EVENTER
27	783828	1	MAST BRACE, RH EVENTER
26	773040	4	WASHER, FLAT 3/8 USS
25	771248	1	SCREW, FHSC 3/8-16 x 2
24	783551	1	LOCK BLOCK
23	782910	1	ROPE RET, WASHER 715/720
	783856	1	LOAD LINE ASSY, 2025 LIFT
22	783834	1	LOAD LINE ASSY, 2015 LIFT
21	772355	15	NUT, INSERT LOCK 3/8-16
20	771060	14	SCREW, HHC 3/8-16 x 1-1/4
19	783620	1	SHAFT, ROLLER
18	779012	2	WHEEL, POLY OLEFIN 3"
17	783813	1	MAST COVER, TOP EVENTER
16	783864	1	LEG STORAGE ASSY.
15	772502	3	NUT, INSERT JAM 5/16-18
14	771239	3	SCREW, BHC 5/16-18 x 7/8
13	783545	3	STRAP
12	783505	1	MAST COVER, MIDDLE
11	771257	5	SCREW, SHC 1/2-13 x 1-1/2
10	783575	5	STOP BLOCK
9	783805	2	REAR LEG ASSY, EVENTER
8	783804	2	FRONT LEG ASSY, EVENTER
7	783841	1	ADJUSTABLE FORK ASSEMBLY
6	783590-BLK	1	NX WINCH ASSEMBLY - BLACK
5	783810	1	CARRIAGE ASSY, EVENTER
4	783826-BLK	1	TOP TOWER MAST ASSY, EVENTER
	783825-BLK	3	CTR TOWER MAST ASSY, EVENTER (25 FT)
3	783825-BLK	2	CTR TOWER MAST ASSY, EVENTER (20 FT)
2	783824-BLK	1	BTM TOWER MAST ASSY, EVENTER
1	783802	1	BASE ASSEMBLY EVENTER
Item/Part No.	Qty		Description
Parts List			

783802 - BASE ASSEMBLY



15	772350	14	NUT, INSERT JAM 3/8-16
14	771100	4	SCREW, HHC 3/8-16 X 1-3/4
13	771090	10	SCREW, HHC 3/8-16 X 1-1/2
12	773400	1	LEVEL, CIRCULAR BUBBLE
11	773040	4	WASHER, FLAT 3/8 USS
10	772355	4	NUT, INSERT LOCK 3/8-16
9	771060	4	SCREW, HHC 3/8-16 X 1-1/4
8	780711	2	SKID PAD - EVENTER BASE
7	775110	4	SPLIT-RING 1-1/4 NICK. PLTD.
6	783476	4	CASTER MTG. PLATE 4" HD
5	776212	4	SPRING, #DWC-042-G-9
4	782510	4	PLUNGER
3	779007	2	CASTER, HD 4" W/SWIVEL LOCK
2	779006	2	CASTER, HD 4"
1	783803	1	BASE WELDMENT EVENTER
Item	Part No.	Qty	Description
Parts List			

MAST ASSEMBLY

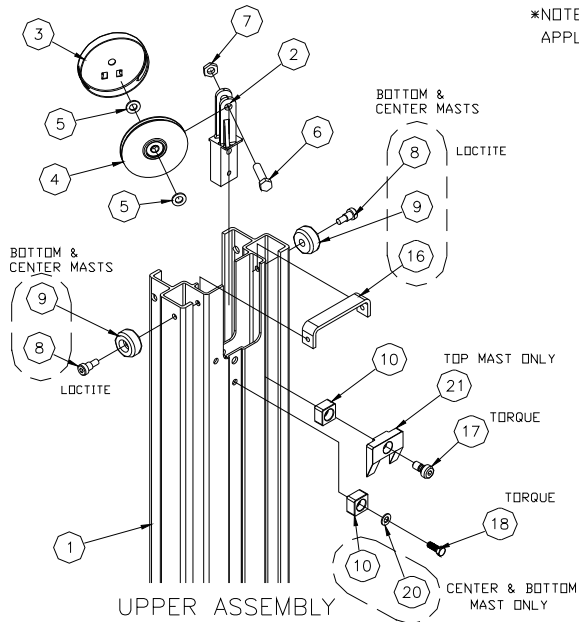
*NOTE: TORQUE ITEM 11 TO 125 FT-LBS
APPLY LOCTITE 242 WHERE SHOWN

APPLICATION CHART

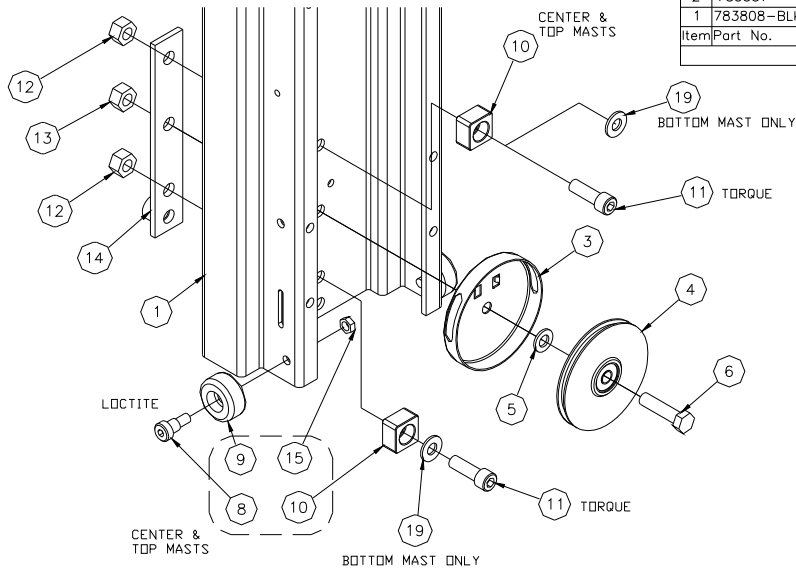
ITEM	TOP MAST	CENTER MAST	BOTTOM MAST
21	QTY. 1	QTY. 0	QTY. 0
20	QTY. 0	QTY. 1	QTY. 1
19	QTY. 0	QTY. 0	QTY. 2
16	QTY. 0	QTY. 1	QTY. 1
15	QTY. 2	QTY. 2	QTY. 0
10	QTY. 2	QTY. 4	QTY. 2
9	QTY. 2	QTY. 4	QTY. 2
8	QTY. 2	QTY. 4	QTY. 2

*SEE APPLICATION CHART

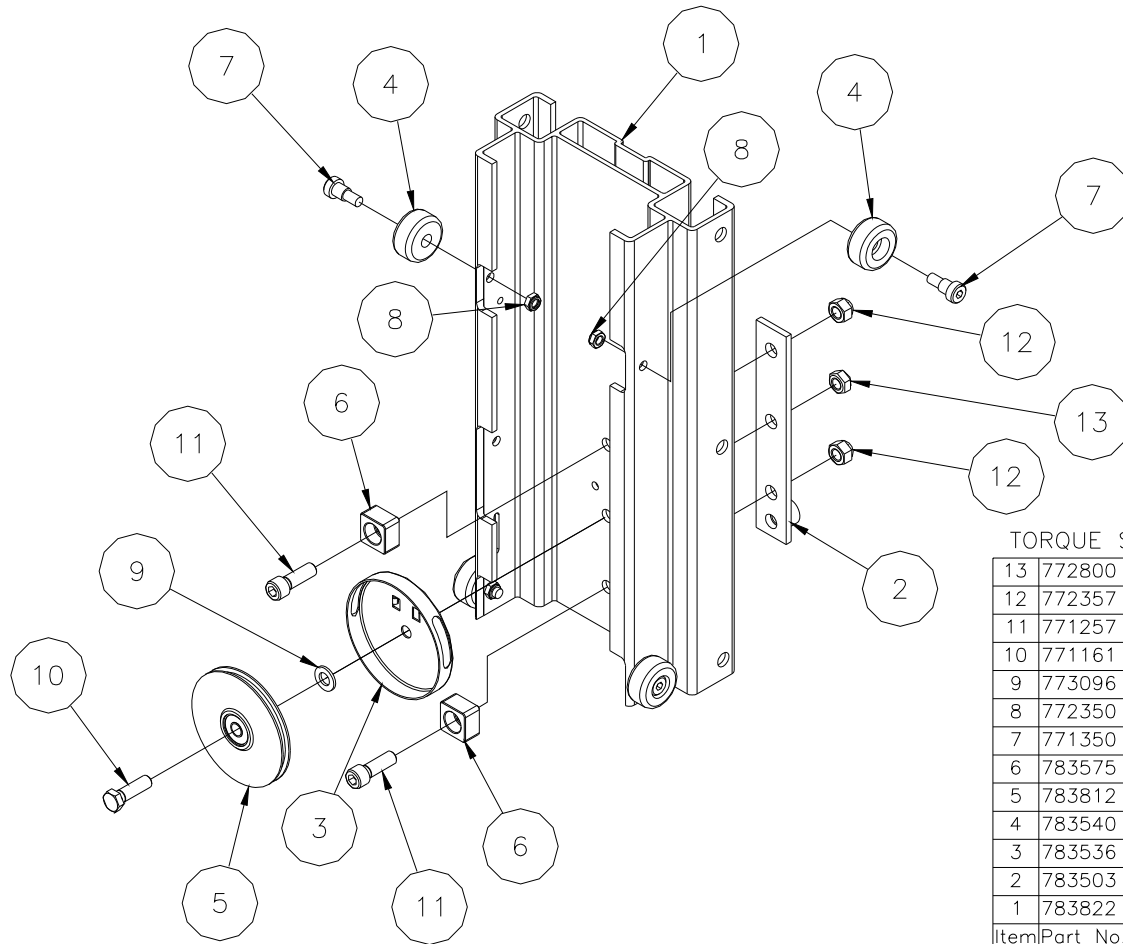
21	783694	*	STOP BLOCK WEDGE
20	773022	*	WASHER, FLAT 3/8 HARDENED
19	773060	*	WASHER, FLAT 1/2 USS
18	771107	1	SCREW, HHC 3/8-16 X 1
17	771258	1	SCREW, SHC 1/2-13 X 1
16	783649	*	TOP REINFORCEMENT BRACKET
15	772350	*	NUT, INSERT JAM 3/8-16
14	783503	1	BACKING PLATE WELDMNT
13	772800	1	NUT, INSERT LOCK 12MM
12	772357	2	NUT, INSERT LOCK 1/2-13
11	771257	2	SCREW, SHC 1/2-13 X 1-1/2
10	783575	*	STOP BLOCK
9	783540	*	MAST ROLLER
8	771350	*	SCREW, SHOULDER 1/2 X 1/2
7	772505	1	NUT, INSERT JAM 12MM
6	771161	2	SCREW, HHC M12-1.75 X 40
5	773096	3	WASHER, FLAT M12
4	783812	2	PULLEY ASSEMBLY, ALUMINUM
3	783536	2	PULLEY GUARD
2	783537	1	PULLEY MOUNTING BRACKET
1	783808-BLK	1	MAST FABRICATION BLACK
Item	Part No.	Qty	Description
Parts List			



LOWER ASSEMBLY



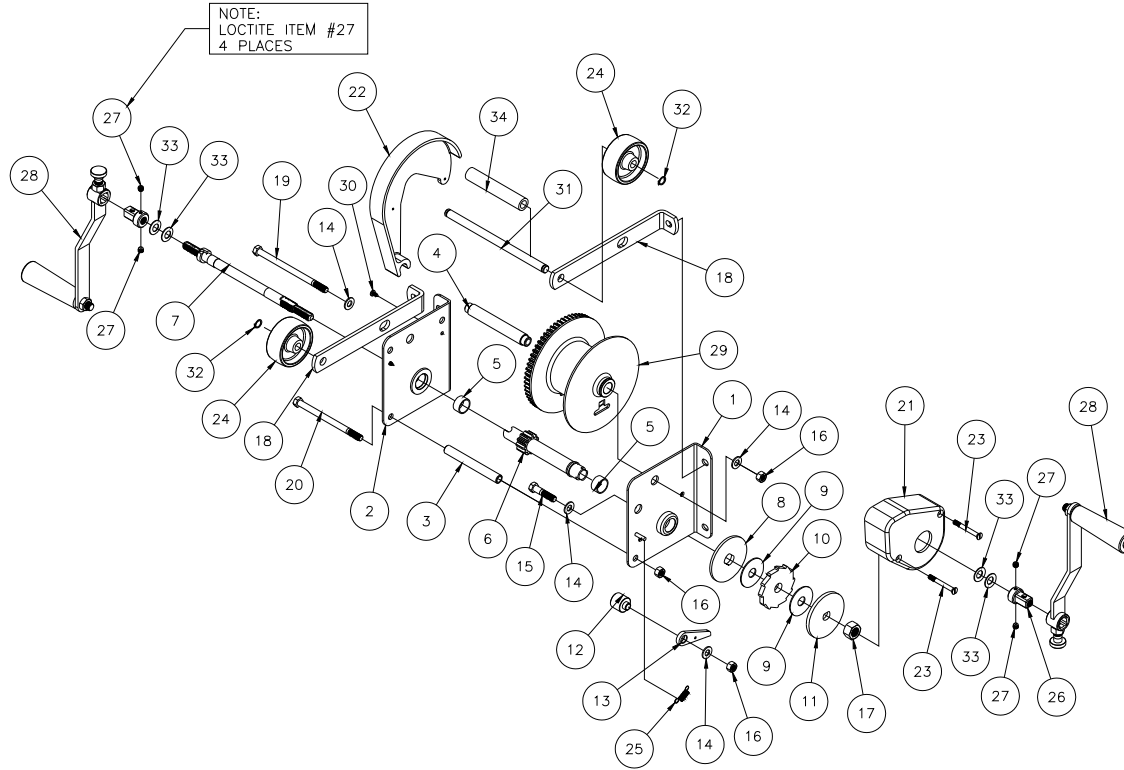
783810 - CARRIAGE ASSEMBLY



TORQUE STOPS TO 125 FT-LBS (16 N.m)

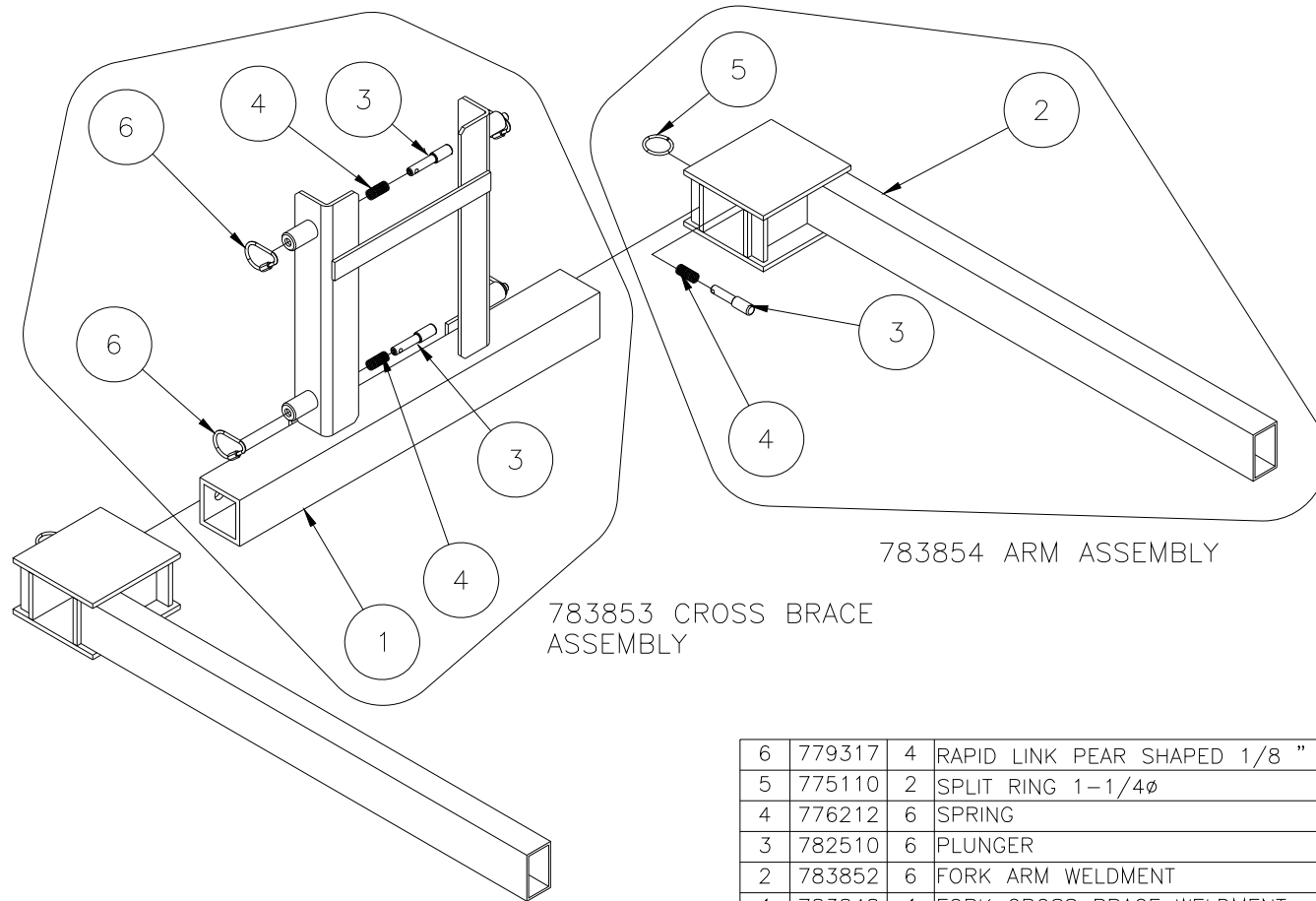
13	772800	1	NUT, INSERT LOCK 12MM
12	772357	2	NUT, INSERT LOCK 1/2-13
11	771257	2	SCREW, SHC 1/2-13 X 1-1/2
10	771161	1	SCREW, HHC M12-1.75 X 40
9	773096	1	WASHER, FLAT M12
8	772350	4	NUT, INSERT JAM 3/8-16
7	771350	4	SHOULDER BOLT 1/2 X 1/2
6	783575	2	STOP BLOCK
5	783812	1	PULLEY ASSEMBLY
4	783540	4	MAST ROLLER
3	783536	1	PULLEY GUARD
2	783503	1	BACKING PLATE WELDMENT
1	783822	1	CARRIAGE - BLACK ANODIZED
Item	Part No.	Qty	Description
Parts List			

783590-BLK - WINCH ASSEMBLY



34	783764	1	SLEEVE, ROLLER SHAFT
33	773085	4	WASHER, BELLVILLE SPRING
32	776072	2	RETAINER RING #5100-50
31	782619	1	SHAFT, ROLLER 712 WINCH
30	776042	2	SCREW, SM #8 X 1/2 PPHF
29	783613-BLK	1	DRUM ASSEMBLY, BLACK
28	783757-BLK	2	WINCH HANDLE ASSEMBLY, MX BLACK
27	771431	4	SCREW, SET 1/4-20 X 5/16 FLT PT
26	784284	2	WINCH HANDLE ADAPTER
25	783621	1	RATCHET DOG SPRING
24	779012	2	WHEEL, POLY OLEFIN 3"
23	771290	2	SCREW, FHM 1/4-20 X 2-1/4
22	783611	1	GEAR COVER
21	783612	1	BRAKE COVER
20	771111	1	SCREW, HHC 3/8-16 X 5-1/2
19	771105	1	SCREW, HHC 3/8-16 X 6
18	783609-BLK	2	ROLLER SUPPORT ARM, BLACK
17	772375	1	NUT, INSERT LOCK 5/8-18
16	772355	3	NUT, INSERT LOCK 3/8-16
15	771100	1	SCREW, HHC 3/8-16 X 1-3/4
14	773040	4	WASHER, FLAT 3/8 USS
13	780216	1	HOIST RATCHET DOG
12	783598	1	SPACER - RACHET
11	780212	1	PLATE, OUTER BRAKE DISC
10	780214	1	BRAKE RATCHET
9	783615	2	BRAKE DISC
8	780211	1	PLATE, INNER BRAKE DISC
7	783754	1	DRIVE SHAFT, MX WINCH
6	780205-BLK	1	SHAFT, HOIST DRUM PINION, BLK
5	775092	2	BUSHING, BZ 7/8 X 1 X 1/2
4	783606	1	DRUM SPACER SHAFT
3	783599-BLK	1	SPACER - WINCH SIDE PLATE, BLK
2	783593-BLK	1	SIDE PLATE WELDMENT - LH, BLK
1	783596-BLK	1	SIDE PLATE WELDMENT - RH, BLK
Item	Part No.	Qty	Description
Parts List			

783841 - ADJUSTABLE FORK ASSEMBLY

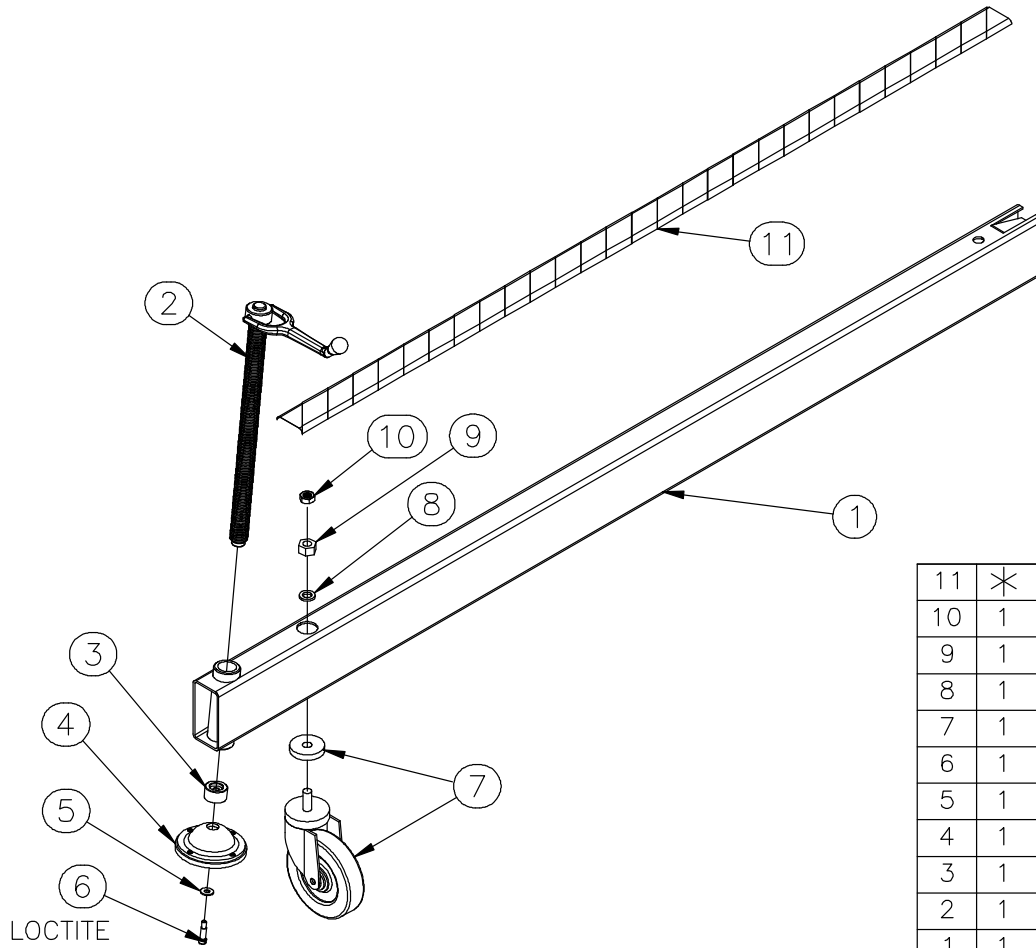


783854 ARM ASSEMBLY

783853 CROSS BRACE ASSEMBLY

6	779317	4	RAPID LINK PEAR SHAPED 1/8 "
5	775110	2	SPLIT RING 1-1/4φ
4	776212	6	SPRING
3	782510	6	PLUNGER
2	783852	6	FORK ARM WELDMENT
1	783848	1	FORK CROSS BRACE WELDMENT
Item	Part No.	Qty	Description
Parts List			

LEG ASSEMBLY, FRONT AND REAR



LOCTITE

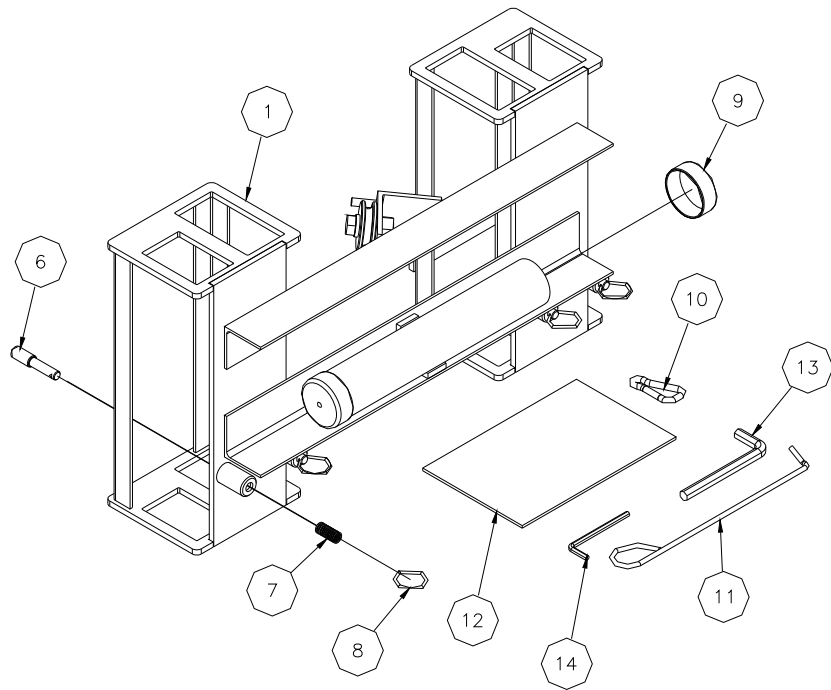
APPLY LOCTITE 242 TO THREADS OF ITEM 6

APPLICATION CHART		
Item	FRONT LEG	REAR LEG
1	783816	783817

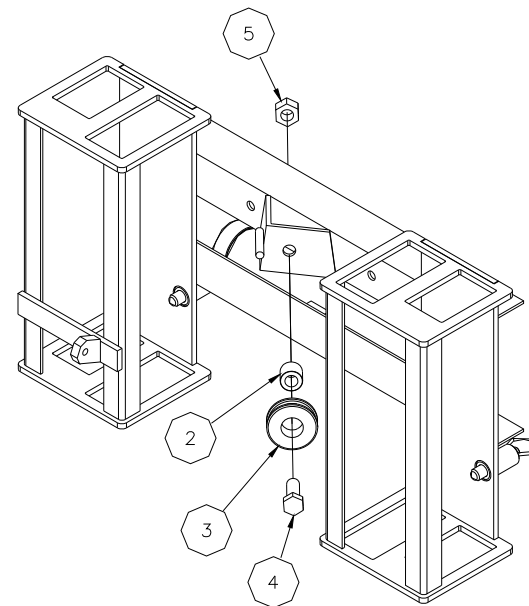
** SEE APPLICATION CHART

11	*	778352	2" BLK/YEL WARNING TAPE (SEE NOTE)	*
10	1	772101	LOCKNUT JAM 1/2-13	
9	1	772100	NUT 1/2-13	
8	1	773590	LOCK WASHER 1/2	
7	1	779002	STEM CASTER W/SPACER	
6	1	771354	SHOULDER BOLT 5/16 x 1	
5	1	773080	WASHER, CONICAL	
4	1	773402	LEVELING PAD	
3	1	783891	LEVELING SCREW BUSHING	
2	1	783889	LEVELING SCREW ASSEMBLY	
1	1	**	LEG WELDMENT	**
Item	Qty	Part No.	Description	
Parts List				

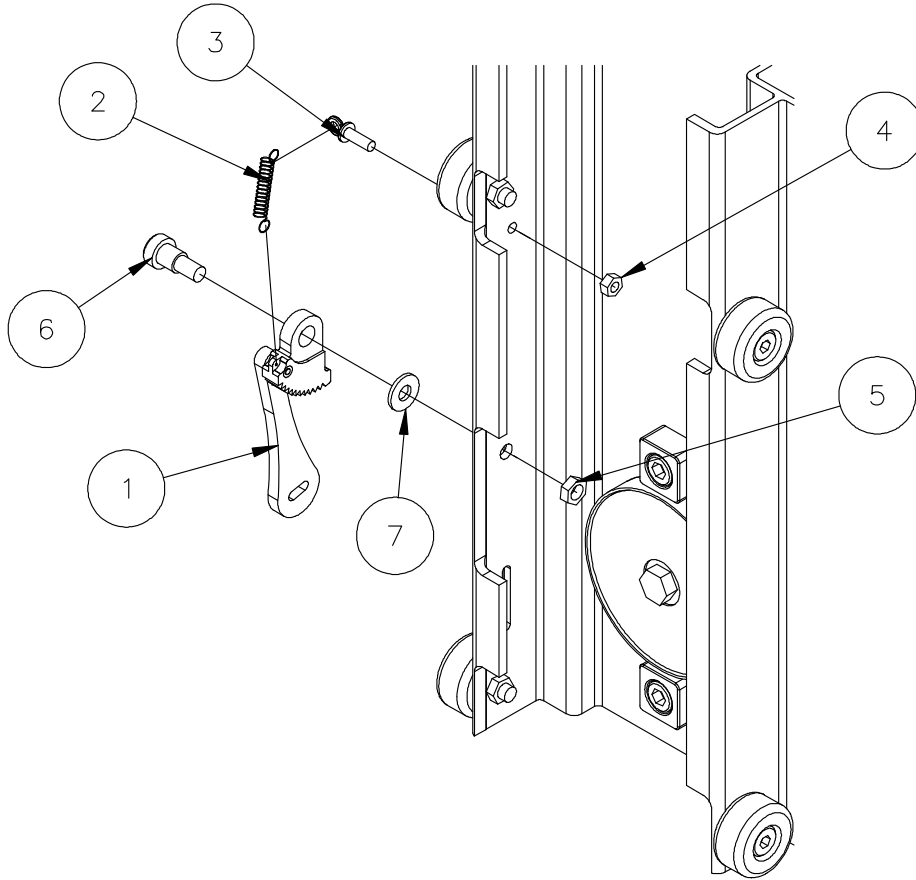
783864 - LEG STORAGE RACK ASSEMBLY



Parts List			
Item	Part No.	Qty	Description
1	783863	1	LEG STORAGE WELDMENT
2	782960	1	ROLLER SHAFT
3	780025	1	SHEAVE 2"
4	771120	1	HHCS 1/2-13 x 1-1/2
5	772357	1	INSERT LOCKNUT 1/2-13
6	782510	4	PLUNGER
7	776212	4	SPRING
8	775110	4	SPLIT RING 1-1/4φ
9	779905	2	TUBE CAP
10	779318	1	SPRING SNAP 1/4"
11	783625	1	BRAKE RELEASE TOOL
12	779976	1	OPERATOR MANUAL, EVENTER
13	779715	1	ALLEN WRENCH 3/8"
14	779720	1	ALLEN WRENCH 3/16"

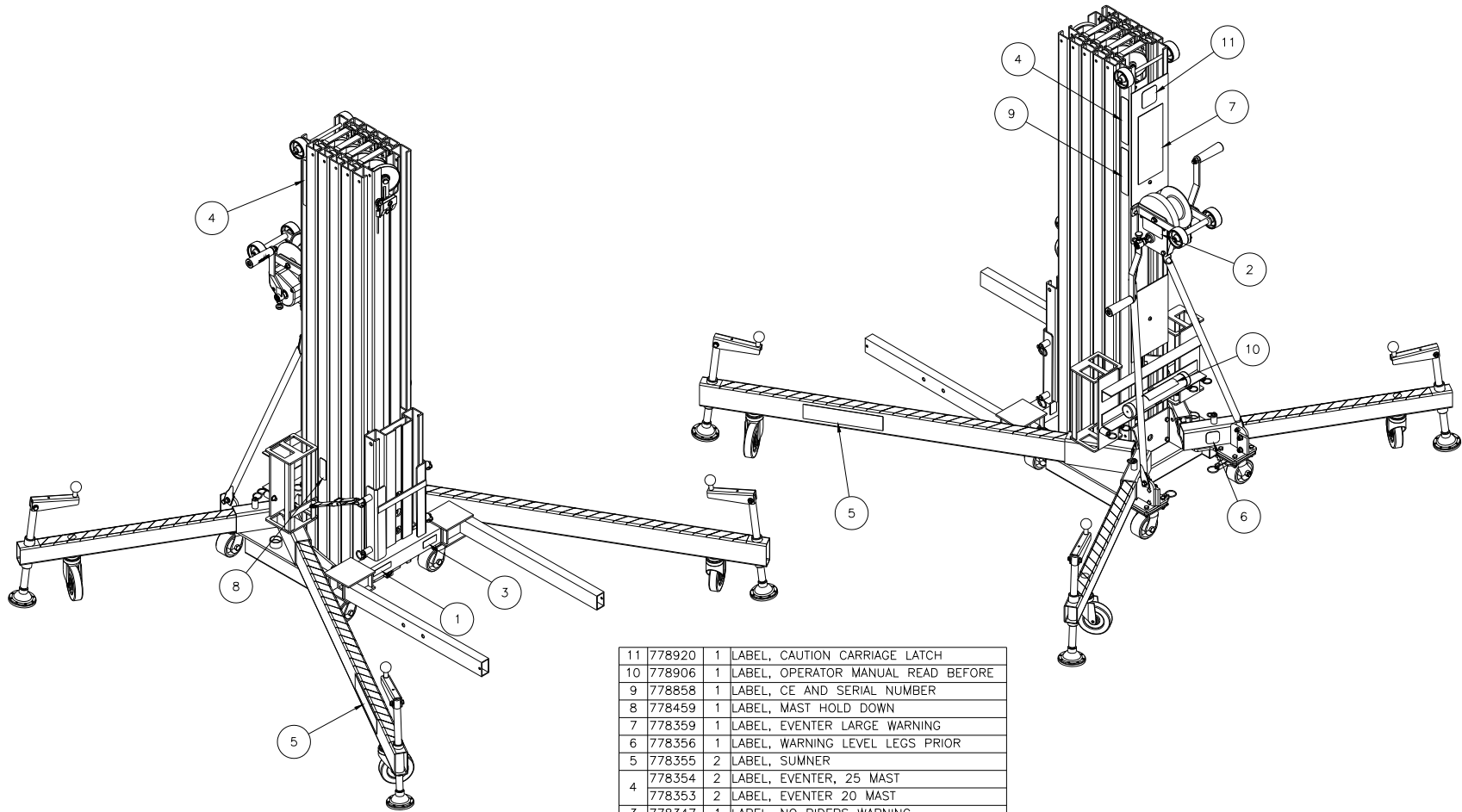


783881 - BRAKE INSTALLATION - OPTIONAL



7	773042	1	5/16 FLAT WASHER
6	771350	1	SHOULDER BOLT 1/2 X 1/2
5	772350	1	INSERT JAM LOCKNUT 3/8-16
4	772076	1	INSERT LOCKNUT 1/4-20
3	779900	1	ADJUSTING SCREW
2	783530	1	EXTENSION SPRING
1	783529	1	BRAKE CAM & WEIGHT ASSEMBLY
Item	Part No.	Qty	Description
Parts List			

COMMON LABEL PLACEMENT



11	778920	1	LABEL, CAUTION CARRIAGE LATCH
10	778906	1	LABEL, OPERATOR MANUAL READ BEFORE
9	778858	1	LABEL, CE AND SERIAL NUMBER
8	778459	1	LABEL, MAST HOLD DOWN
7	778359	1	LABEL, EVENTER LARGE WARNING
6	778356	1	LABEL, WARNING LEVEL LEGS PRIOR
5	778355	2	LABEL, SUMNER
4	778354	2	LABEL, EVENTER, 25 MAST
	778353	2	LABEL, EVENTER 20 MAST
3	778347	1	LABEL, NO RIDERS WARNING
2	778346	1	LABEL, WINCH RAISE/LOWER
1	778339	1	LABEL, CARRIAGE LATCH WARNING
Item	Part No.	Qty	Description
Parts List			