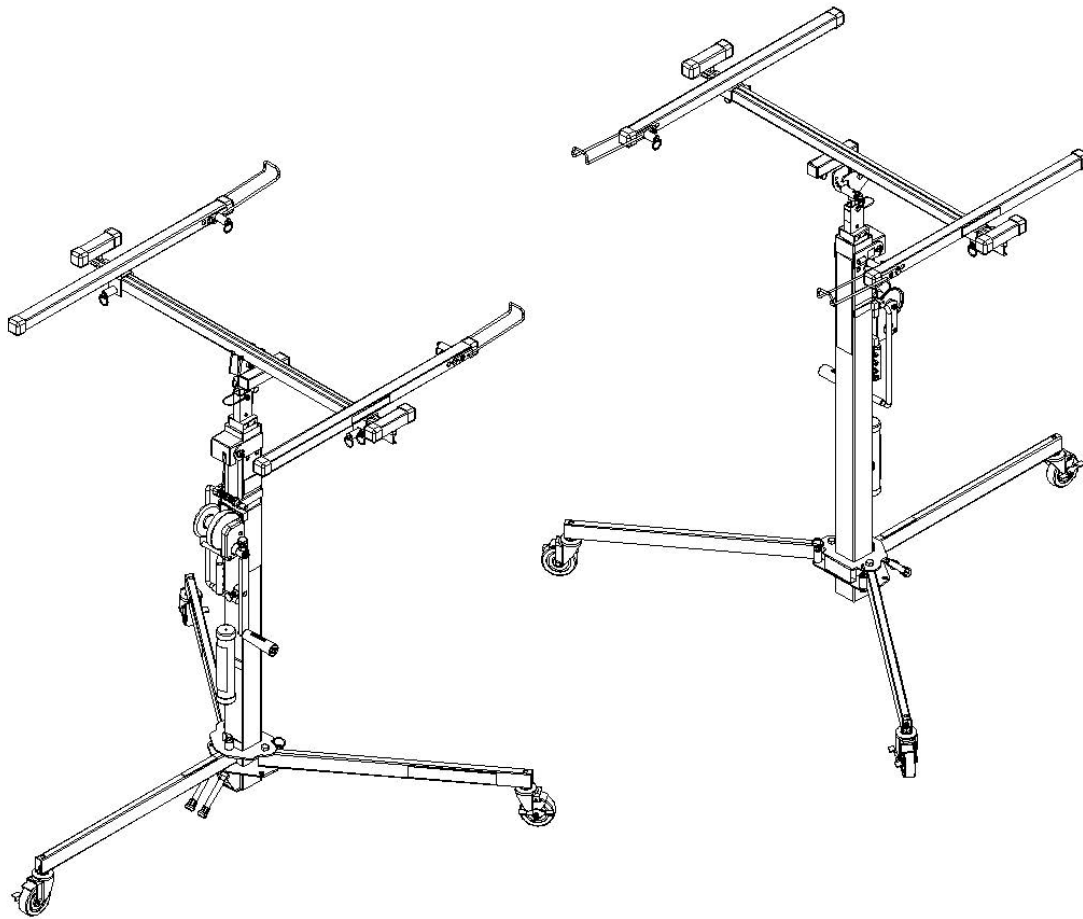


---

# PARTS MANUAL

## SERIES 2300 DRYWALL/HVAC LIFT

---



**SUMNER**<sup>®</sup>

---

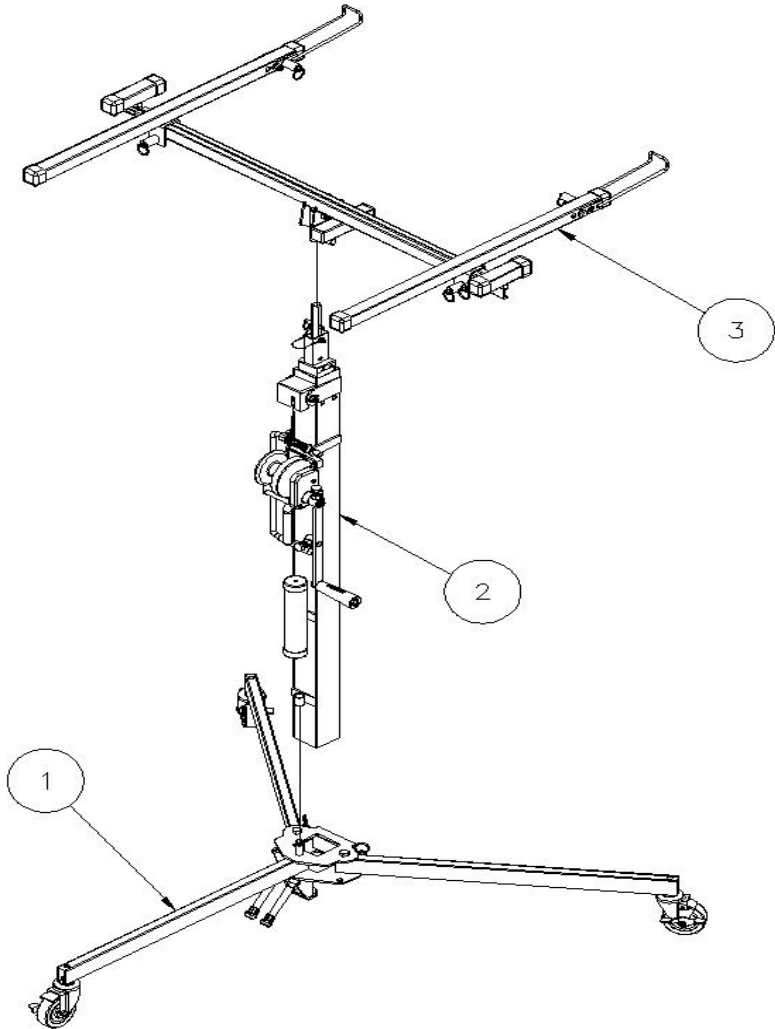
USA • 7514 Alabonson Road • Houston, TX 77088 • Ph: 281-999-6900 • Fax: 281-999-6966

Canada • 75 Saltsman Drive, Unit 5 • Cambridge, ON N3H 4R7 • Ph: 519-653-5300 • Fax: 519-653-5305

UK • Unit 3 Kempton Road • Keytec 7 Business Park • Pershore, Worcestershire WR102TA • Ph: (44) 1386 556278 • Fax: (44) 1386 556776

Netherlands • Midden Engweg 21 • NL-3882TS Putten • Netherlands • +31 (0) 6 13147979

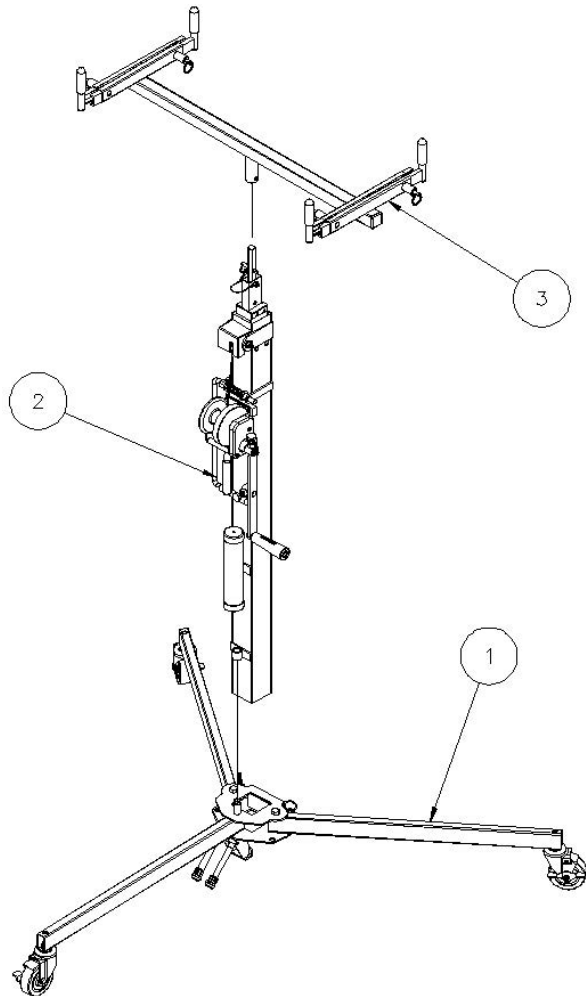
# DRYWALL LIFT ASSEMBLY



784351	DRYWALL LIFT ASSEMBLY MODEL 2315CE
784346	DRYWALL LIFT ASSEMBLY MODEL 2315
784350	DRYWALL LIFT ASSEMBLY MODEL 2311CE
784345	DRYWALL LIFT ASSEMBLY MODEL 2311
PART NO.	DESCRIPTION
APPLICATION CHART	

3	784355	1	CRADLE ASSEMBLY 2300
2	784353	1	MAST ASSEMBLY MODEL 2315CE
	784352	1	MAST ASSEMBLY MODEL 2315
	784348	1	MAST ASSEMBLY MODEL 2311CE
	784347	1	MAST ASSEMBLY MODEL 2311
1	784420	1	BASE ASSEMBLY 2300
ITEM	PART NO.	QTY.	DESCRIPTION
PARTS LIST			

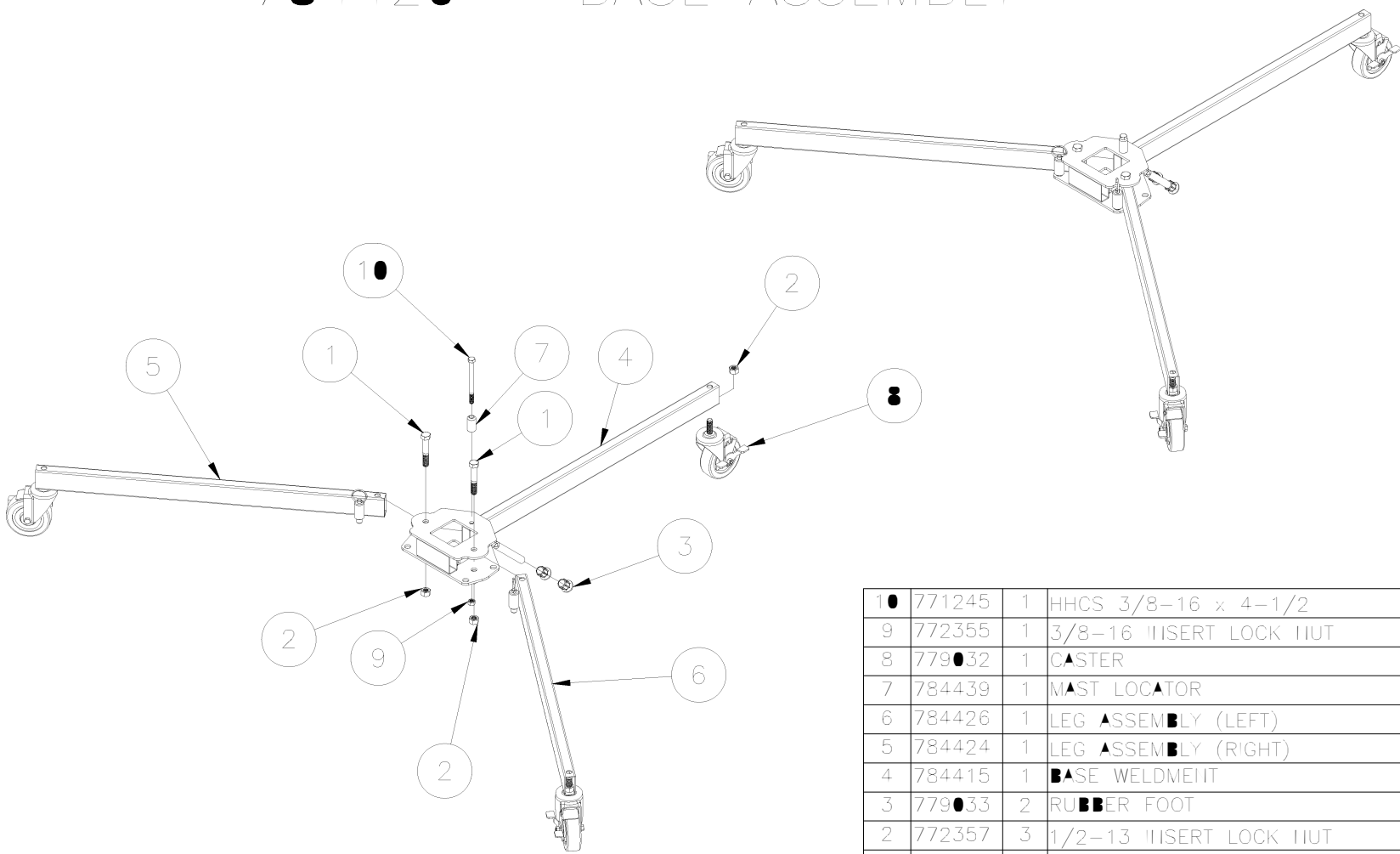
# HVAC/ELECTRICAL LIFT ASSEMBLY



784333	HVAC/ELECTRICAL LIFT ASSY. MODEL 2315CE
784332	HVAC/ELECTRICAL LIFT ASSY. MODEL 2315
784331	HVAC/ELECTRICAL LIFT ASSY. MODEL 2311CE
784330	HVAC/ELECTRICAL LIFT ASSY. MODEL 2311
PART NO.	DESCRIPTION
APPLICATION CHART	

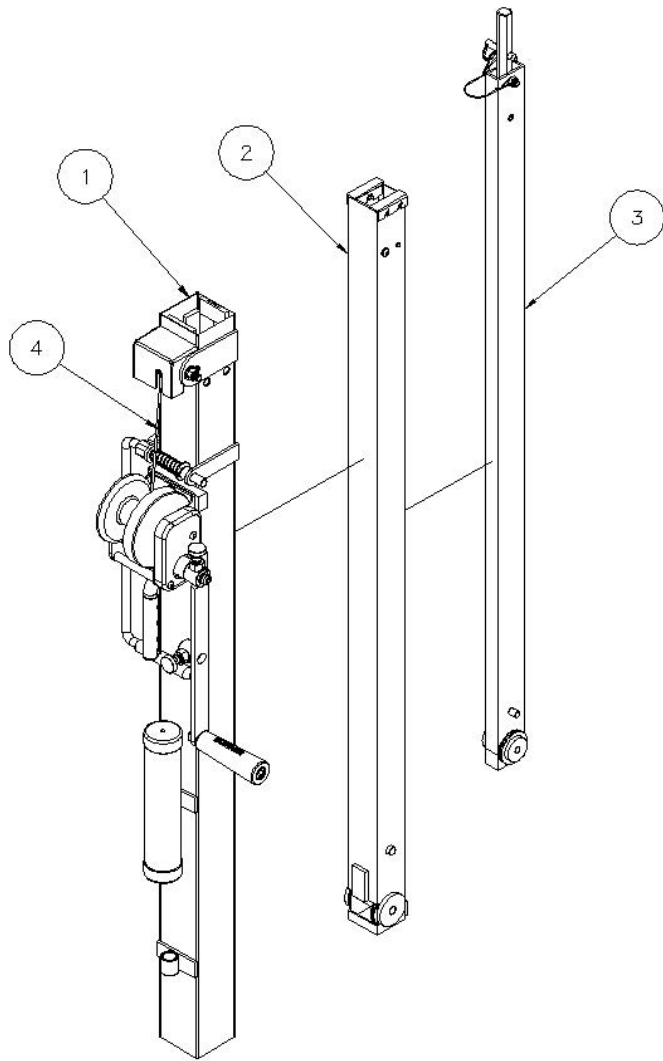
3	784474	1	HVAC/ELECTRICAL CRADLE ASSY.
2	784353	1	MAST ASSEMBLY MODEL 2315CE
	784352	1	MAST ASSEMBLY MODEL 2315
	784348	1	MAST ASSEMBLY MODEL 2311CE
	784347	1	MAST ASSEMBLY MODEL 2311
1	784420	1	BASE ASSEMBLY 2300
ITEM	PART NO.	QTY.	DESCRIPTION
PARTS LIST			

# 784420 – BASE ASSEMBLY



10	771245	1	HHCS 3/8-16 x 4-1/2
9	772355	1	3/8-16 INSERT LOCK NUT
8	779032	1	CASTER
7	784439	1	MAST LOCATOR
6	784426	1	LEG ASSEMBLY (LEFT)
5	784424	1	LEG ASSEMBLY (RIGHT)
4	784415	1	BASE WELDMENT
3	779033	2	RUBBER FOOT
2	772357	3	1/2-13 INSERT LOCK NUT
1	771142	2	SCREW, HHC 1/2-13 x 3
Item	Part No.	Qty	Description
Parts List			

# DRYWALL LIFT – MAST ASSEMBLY

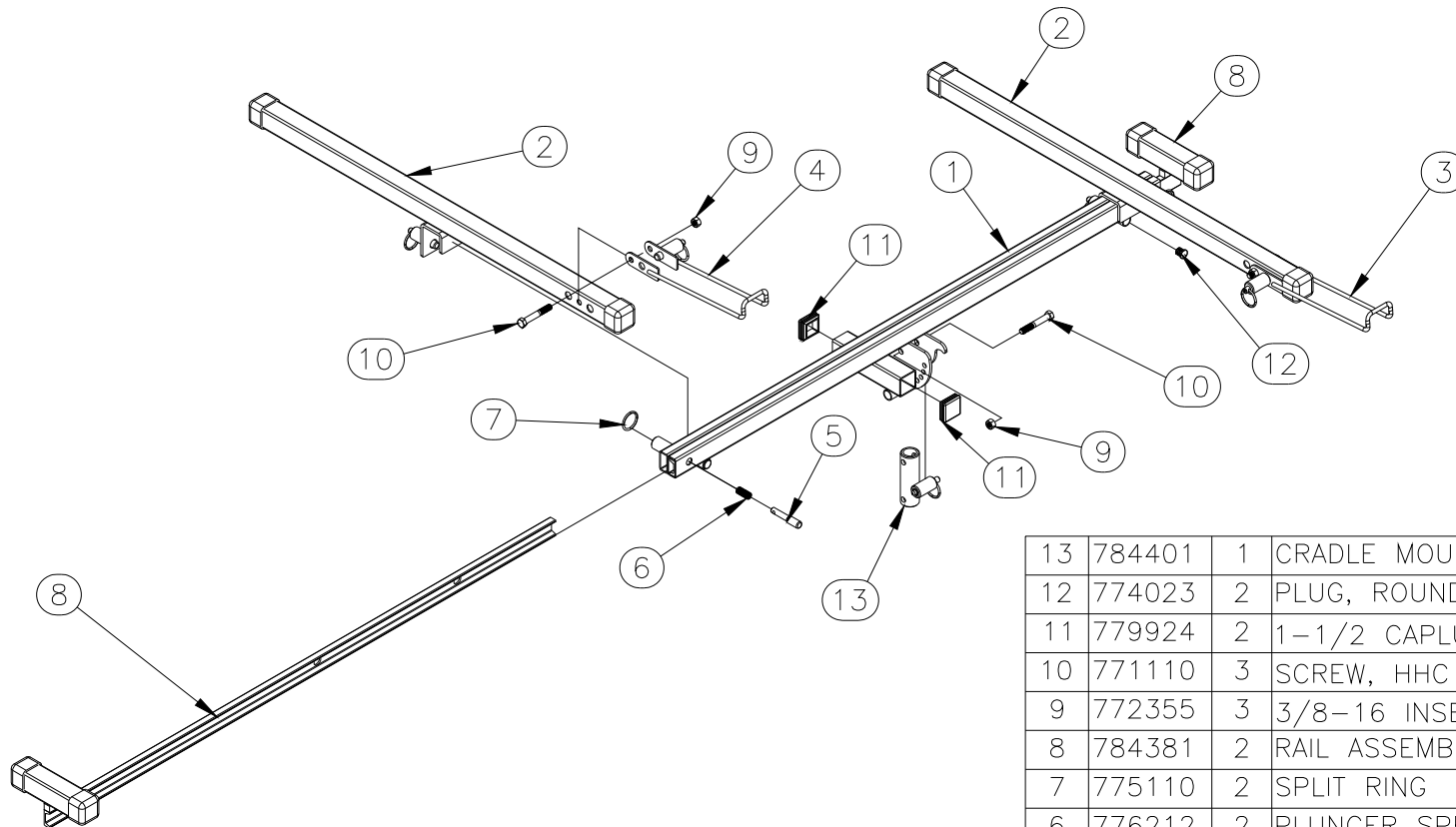


\* LOAD LINE QTY. IS (1) FOR 2311 AND 2315 LIFTS

\* LOAD LINE QTY. IS (2) FOR 2311CE AND 2315CE LIFTS

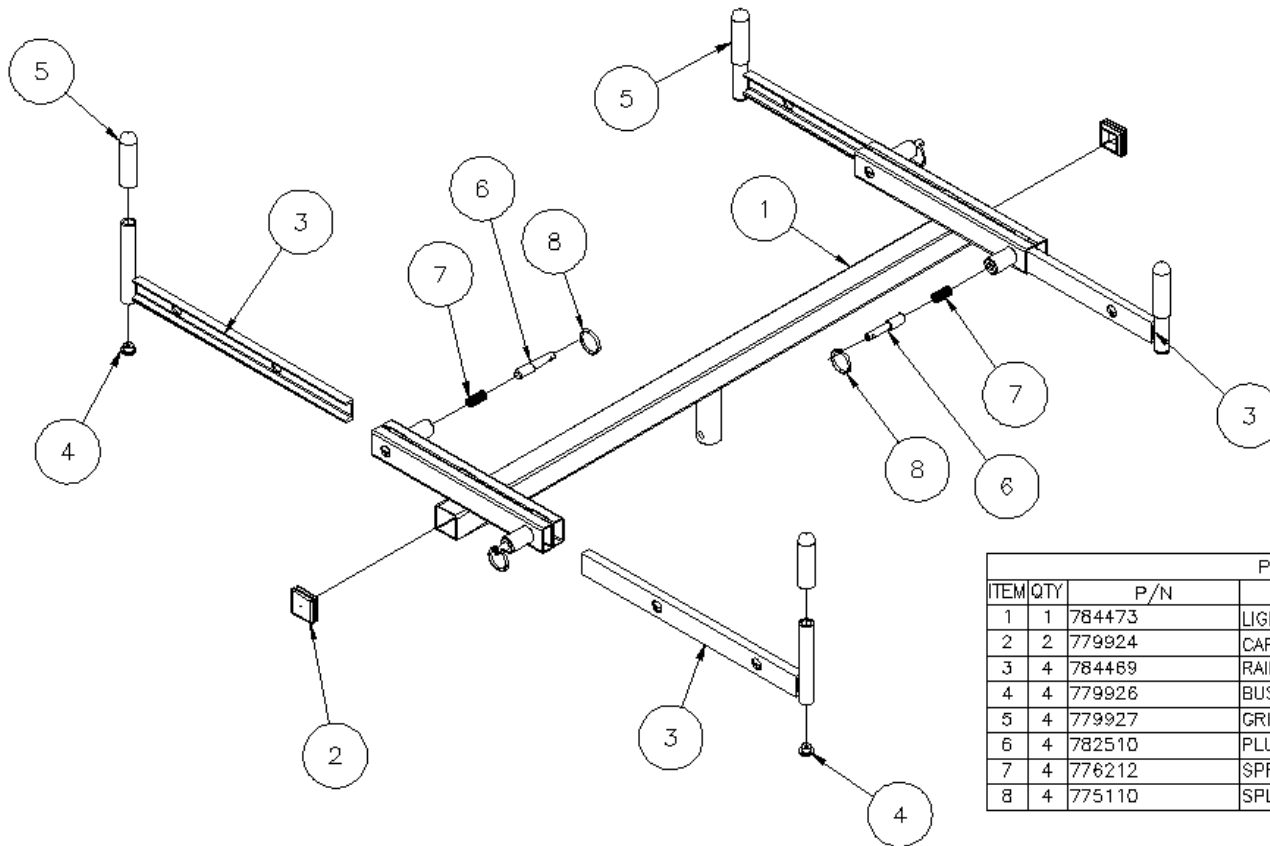
4	*	LOAD LINE	784442	784442	784460	784460
3	1	TOP MAST ASSEMBLY	784358	784411	784459	784463
2	1	CENTER MAST ASSEMBLY	784357	784396	784457	784462
1	1	OUTER MAST ASSEMBLY	784356	784388	784455	784461
ITEM	QTY.	DESCRIPTION	2311	2311CE	2315	2315CE
PARTS LIST			PART NO./UNIT			

# 784355 – DRYWALL CRADLE ASSEMBLY



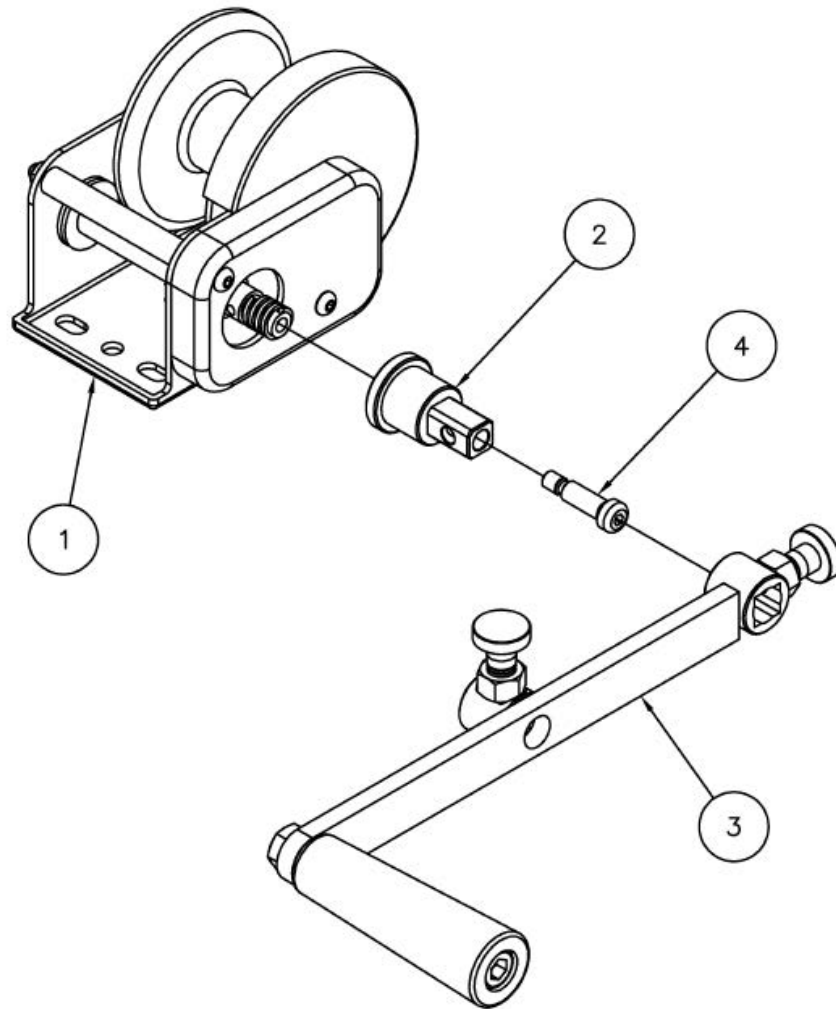
13	784401	1	CRADLE MOUNT ASSEMBLY
12	774023	2	PLUG, ROUND POLY.
11	779924	2	1-1/2 CAPLUG
10	771110	3	SCREW, HHC 3/8-16 x 2-1/2
9	772355	3	3/8-16 INSERT LOCK NUT
8	784381	2	RAIL ASSEMBLY
7	775110	2	SPLIT RING
6	776212	2	PLUNGER SPRING
5	782510	2	PLUNGER
4	784373	1	HOOK ASSEMBLY (RIGHT HAND)
3	784372	1	HOOK ASSEMBLY (LEFT HAND)
2	784376	2	CROSS ARM ASSEMBLY
1	784365	1	CRADLE WELDMENT
Item	Part No.	Qty	Description
Parts List			

# 784474 — LIGHT/DUCT WORK CRADLE ASSY.



Parts List			
ITEM	QTY	P/N	DESCRIPTION
1	1	784473	LIGHT/DUCT WORK CRADLE WELDMENT
2	2	779924	CAP, 1-1/2" SQUARE TUBING
3	4	784469	RAIL WELDMENT
4	4	779926	BUSHING, RUBBER BUMPER
5	4	779927	GRIP, ROUND SOFTEX BLK.
6	4	782510	PLUNGER
7	4	776212	SPRING
8	4	775110	SPLIT RING

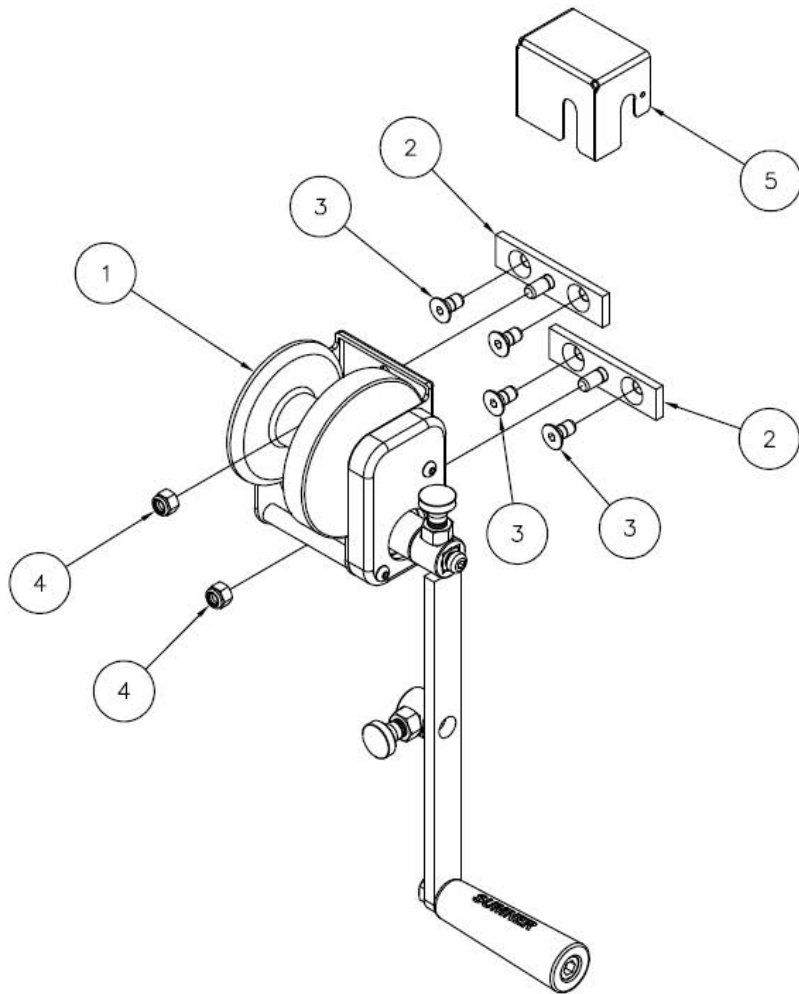
## 784338 - WINCH ASSY., 2300 LIFT W/ HANDLES



4	771362	1	SCREW, SHOULDER M8 X 35 THD LOCKING
3	784289	1	WINCH HANDLE ASSEMBLY, 2300
2	779982	1	WINCH HANDLE ADAPTER, 2300 SERIES LIFTS
1	779980	1	WINCH, 2300 SERIES LIFT
Item	Part No.	Qty	Description
Parts List			



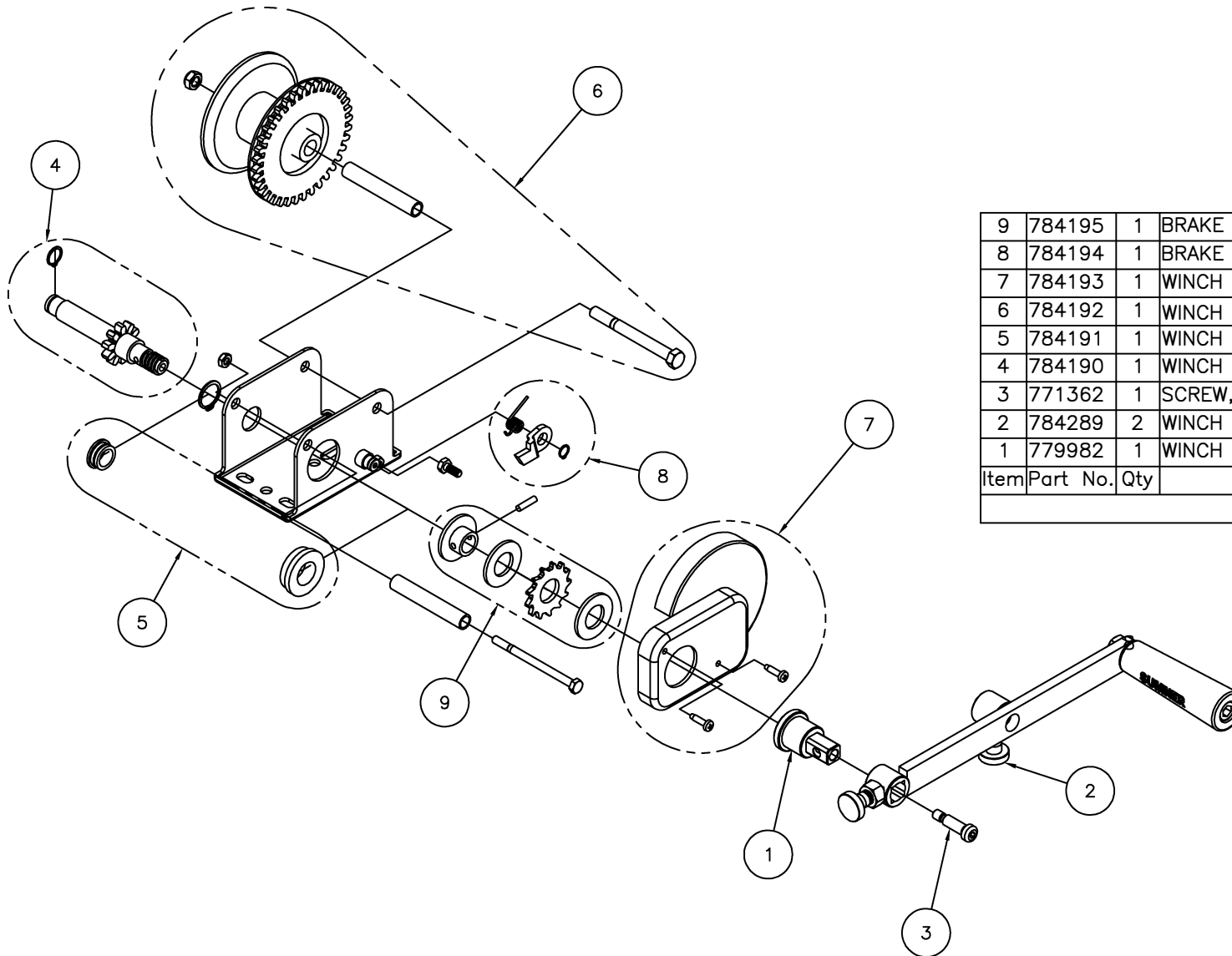
## 784315 - WINCH MOUNTING KIT, 2300 LIFTS W/ HANDLES



THIS KIT TO BE USED ON DRYWALL LIFTS  
BUILT BEFORE 05/13/16, WITH  
SERIAL NUMBERS PRIOR TO 4910

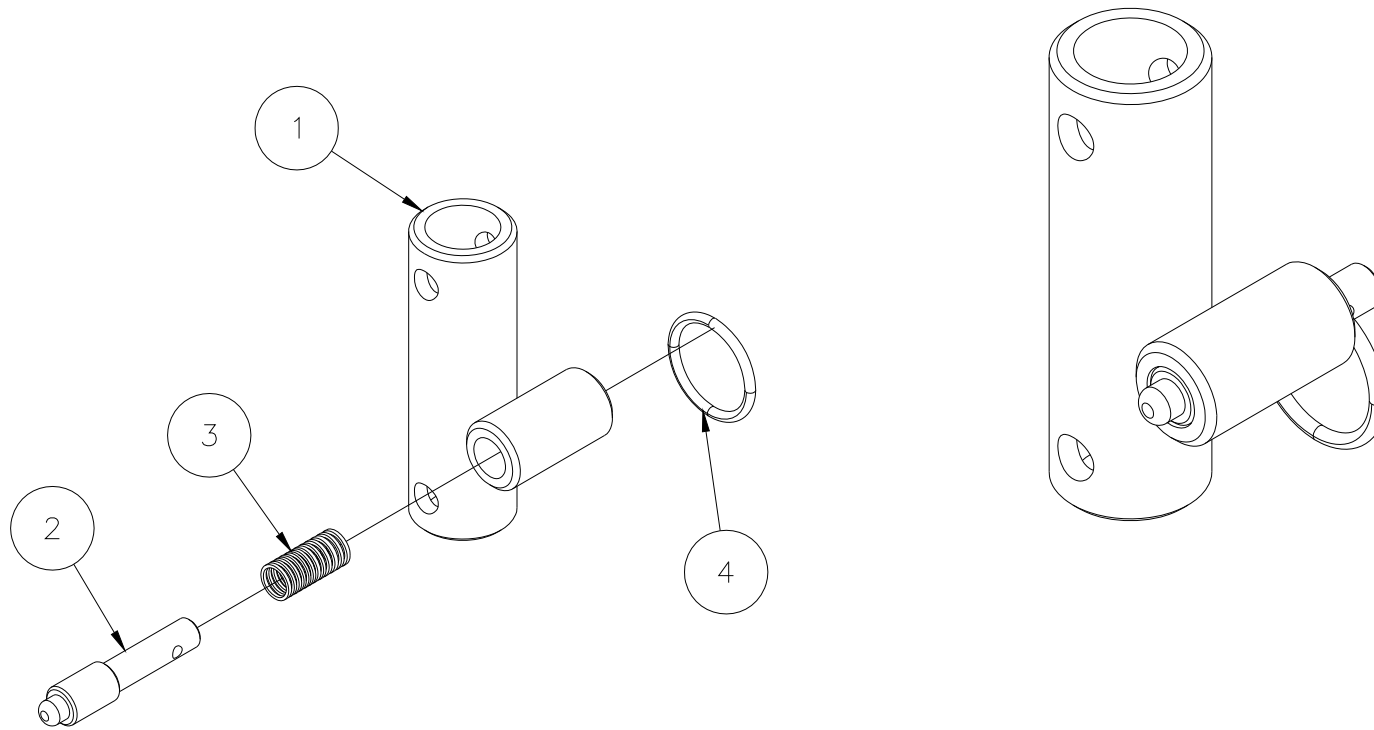
5	784408	1	PULLEY GUARD
4	772355	2	NUT, INSERT LOCK 3/8-16
3	771164	4	SCREW, FHSC 3/8-16 X 3/4
2	784318	2	WINCH MOUNT WELDMENT, 2300 SERIES LIFTS
1	784338	1	WINCH ASSEMBLY, 2300 LIFT W/HANDLE
Item	Part No.	Qty	Description
Parts List			

784338 – WINCH ASSEMBLY, 2300 LIFT W/HANDLE



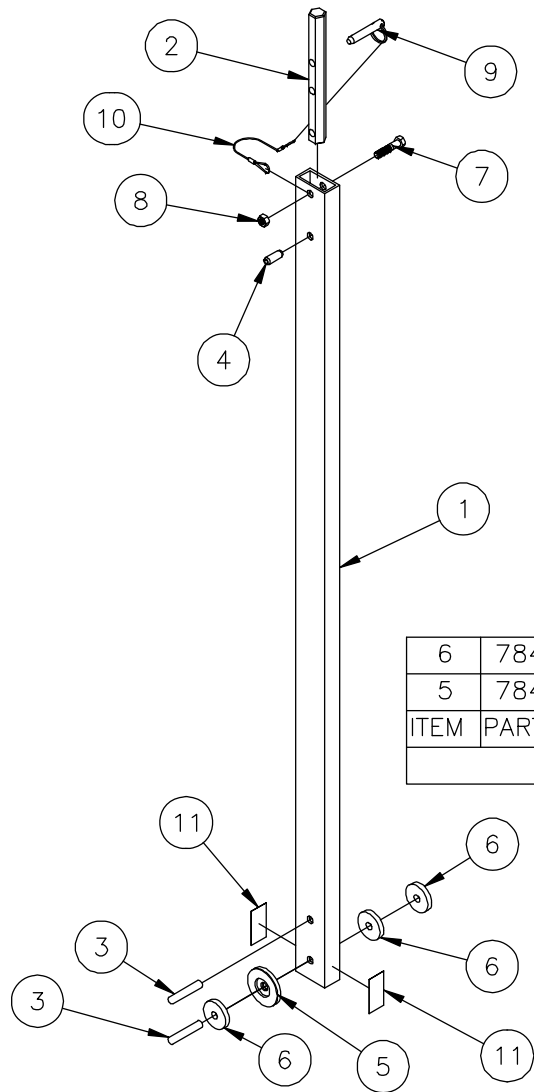
9	784195	1	BRAKE RACHET KIT, 2300 LIFT
8	784194	1	BRAKE DOG KIT, 2300 LIFT
7	784193	1	WINCH COVER, 2300 LIFT
6	784192	1	WINCH DRUM W/SHAFT, 2300 LIFT
5	784191	1	WINCH HOUSING BEARINGS, 2300 LIFT
4	784190	1	WINCH SHAFT KIT, 2300 LIFT
3	771362	1	SCREW, SHOULDER M8 X 35 THD LOCKING
2	784289	2	WINCH HANDLE ASSEMBLY, 2300 LIFT
1	779982	1	WINCH HANDLE ADAPTER, 2300 SERIES LIFT
Item	Part No.	Qty	Description
Parts List			

# 784401 – CRADLE MOUNT ASSEMBLY



4	775110	1	SPLIT RING
3	776212	1	PLUNGER SPRING
2	783342	1	PLUNGER PIN
1	784384	1	CRADLE MOUNT WELDMENT
Item	Part No.	Qty	Description
Parts List			

# DRYWALL LIFT – TOP MAST ASSEMBLY

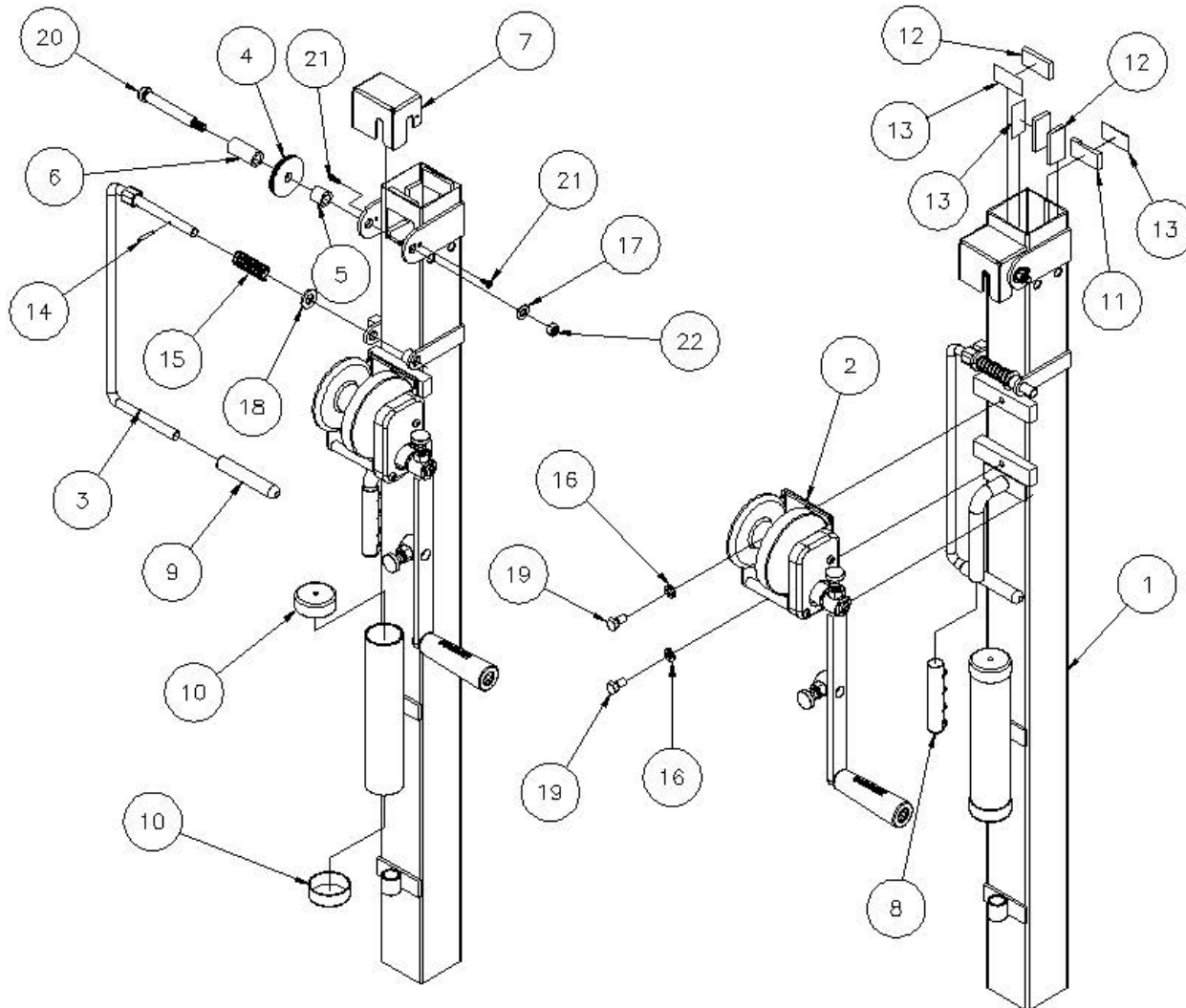


11	776058	2	TAPE, UHMW .0015 X 1"
10	774195	1	MAST HOLD DOWN (LANYARD)
9	779411	1	PIN DETENT 3/8 X 1.5 LG.
8	772502	1	NUT, INSERT JAM 5/16 -18
7	771055	1	SCREW, HHC 5/16-18 X 1-1/2
6	784412	*	TOP MAST WEAR DISC
5	784391	*	PULLEY, BRASS 2"
4	774042	1	PIN, ROLL 3/8 X 1
3	774041	2	PIN, DOWEL 3/8 X 2
2	784402	1	SPINDLE
1	784458	1	TOP MAST TUBE 2315
	784410	1	TOP MAST TUBE 2311
ITEM	PART NO.	QTY.	DESCRIPTION
PARTS LIST			

6	784412	TOP MAST WEAR DISC	3	2	3	2
5	784391	PULLEY, BRASS 2"	1	2	1	2
ITEM	PART NO.	DESCRIPTION	2311	2311CE	2315	2315CE
APPLICATION CHART			QTY. PER UNIT			

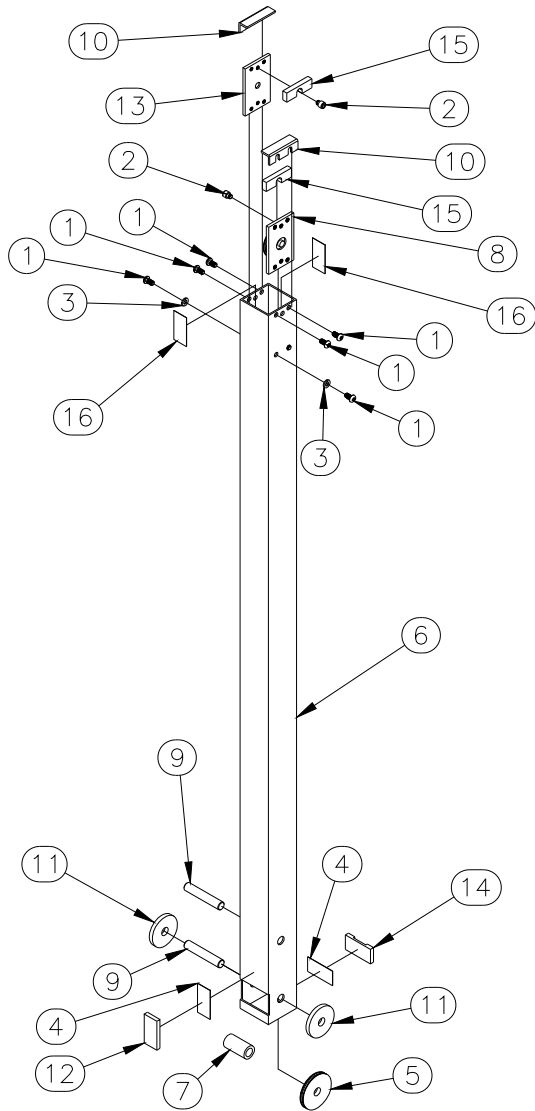
784356 – OUTER MAST ASSEMBLY 2311

784455 – OUTER MAST ASSEMBLY 2315



22	772355	1	NUT, INSERT LOCK 3/8-16
21	776042	2	SCREW, PHF 8-32 X 1/2
20	771137	1	SCREW, SHOULDER 1/2 X 3-1/2
19	771059	2	SCREW, HHC 3/8-16 X 3/4
18	773094	1	WASHER, FLAT 1/2 SAE
17	773040	1	WASHER, FLAT 3/8 USS
16	773575	2	WASHER, LOCK 3/8
15	776216	1	SPRING, CENTURY #71924
14	774095	1	PIN, ROLL 1/8 X 1
13	779113	4	TAPE, DOUBLE SIDED .020 X 1W X 2 LG
12	784405	3	WEAR PAD FLAT 1 X 2
11	784451	1	WEAR PAD SLOTTED 1 X 2
10	779905	2	CAP, 2" OD TUBE, BLK
9	779114	1	HANDLE GRIP FOAM 1/2 X 4 BLK
8	779528	1	GRIP, HAND (BLACK) MODEL 1 & 2
7	784408	1	PULLEY GUARD
6	784447	1	SPACER, PULLEY 1-3/4"
5	784392	1	SPACER, PULLEY 3/4"
4	784390	1	PULLEY, 2-1/4" BRASS
3	784449	1	HANDLE WELDMENT - DRYWALL LIFT
2	784338	1	WINCH ASSEMBLY, 2300 LIFT W/HANDLES
1	784454	1	OUTER MAST WELDMENT 2315
	784386	1	OUTER MAST WELDMENT 2311
Item	Part No.	Qty	Description
Parts List			

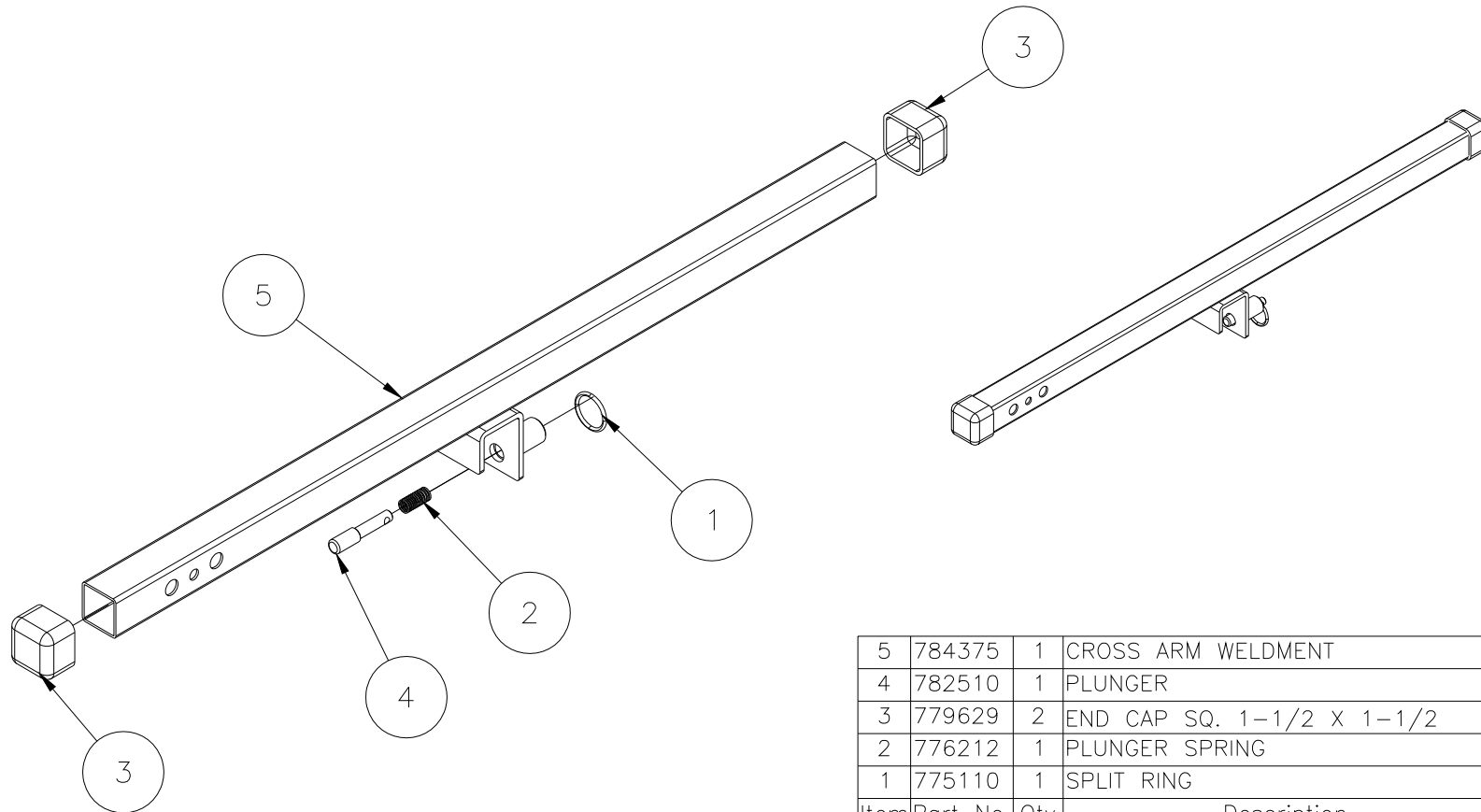
# 2300 LIFT – CENTER MAST ASSEMBLY



16	776058	2	TAPE, UHMW .0115 THK X 1"
15	784452	2	WEAR PAD SLOTTED 5/8 X 2
14	784451	1	WEAR PAD SLOTTED 1 X 2
13	784398	*	PULLEY BRACKET
12	784405	1	WEAR PAD FLAT 1 X 2
11	784404	2	CENTER MAST WEAR DISC
10	784403	2	TOP COVER
9	774043	2	PIN, DOWEL 1/2 X 2-3/4
8	784399	*	CENTER MAST PULLEY WELDMENT
7	784397	*	SPACER, PULLEY 1-3/8"
	784447	*	SPACER, PULLEY 1-3/4"
6	784456	1	CENTER MAST TUBE 2315
	784395	1	CENTER MAST TUBE 2311
5	784390	*	PULLEY 2-1/4" BRASS
4	779113	2	TAPE, DOUBLESIDED .020 X 1W
3	773550	2	WASHER, LOCK 1/4
2	771138	2	SCREW, SHC 1/4-20 X 1/4
1	771044	*	SCREW, BHC 1/4-20 X 3/8
ITEM	PART NO.	QTY.	DESCRIPTION
PARTS LIST			

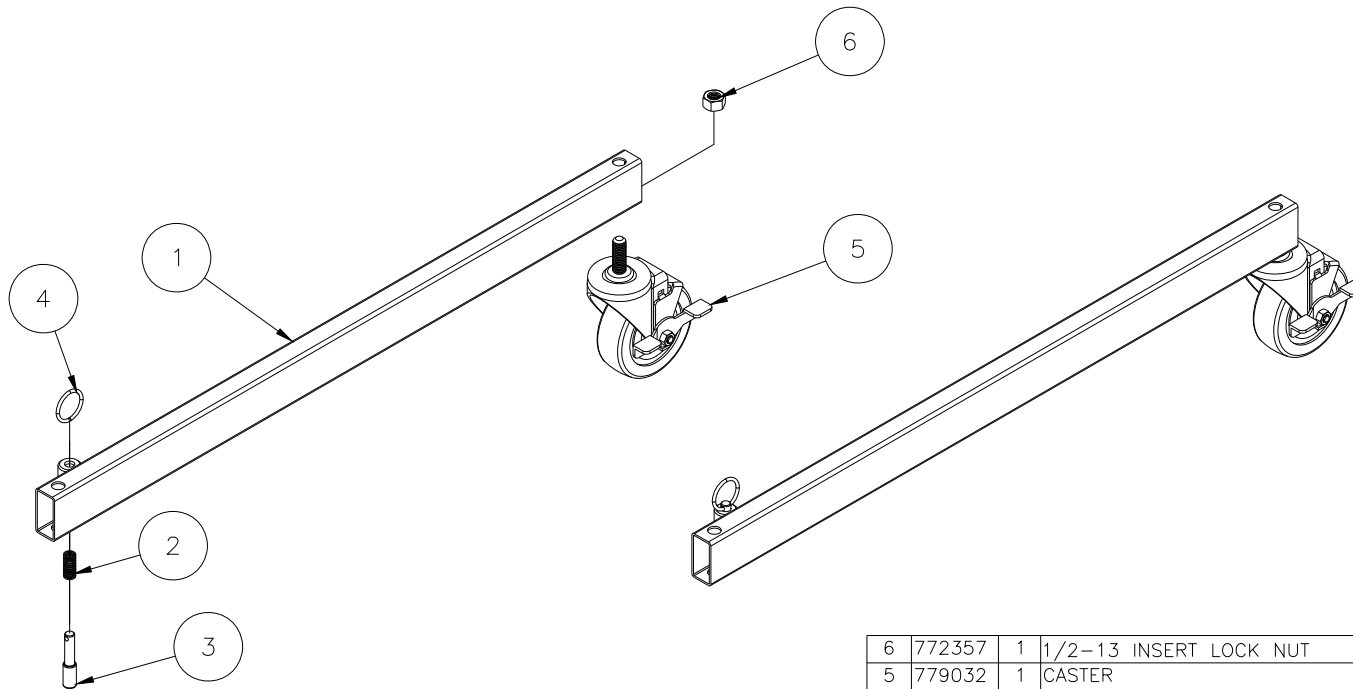
13	784398	PULLEY BRACKET	1		1	
8	784399	CENTER MAST PULLEY WELDMENT	1	2	1	2
7	784397	SPACER, PULLEY 1-3/8"		1		1
	784447	SPACER, PULLEY 1-3/4"	1		1	
5	784390	PULLEY 2-1/4" BRASS	1	2	1	2
1	771044	SCREW, BHC 1/4-20 X 3/8	7	8	7	8
ITEM	PART NO.	DESCRIPTION	2311	2311CE	2315	2315CE
APPLICATION CHART			QTY. PER UNIT			

# 784376 – CROSS ARM ASSEMBLY



5	784375	1	CROSS ARM WELDMENT
4	782510	1	PLUNGER
3	779629	2	END CAP SQ. 1-1/2 X 1-1/2
2	776212	1	PLUNGER SPRING
1	775110	1	SPLIT RING
Item	Part No.	Qty	Description
Parts List			

# LEG ASSEMBLY



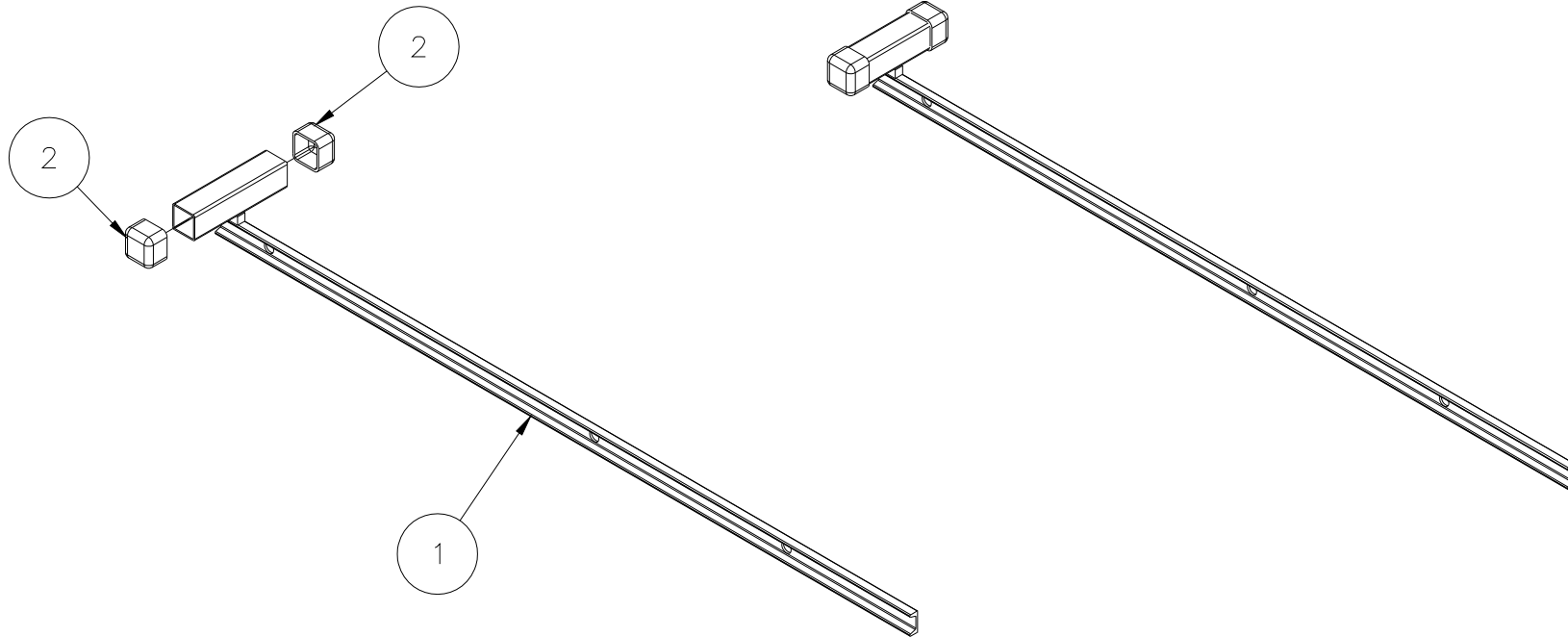
6	772357	1	1/2-13 INSERT LOCK NUT
5	779032	1	CASTER
4	775110	1	SPLIT RING
3	782510	1	PLUNGER
2	776212	1	PLUNGER SPRING
1	*	1	LEG WELDMENT *
Item	Part No.	Qty	Description
Parts List			

\*SEE APPLICATION CHART

APPLICATION CHART		
ITEM	RIGHT HAND	LEFT HAND
1	784423	784425

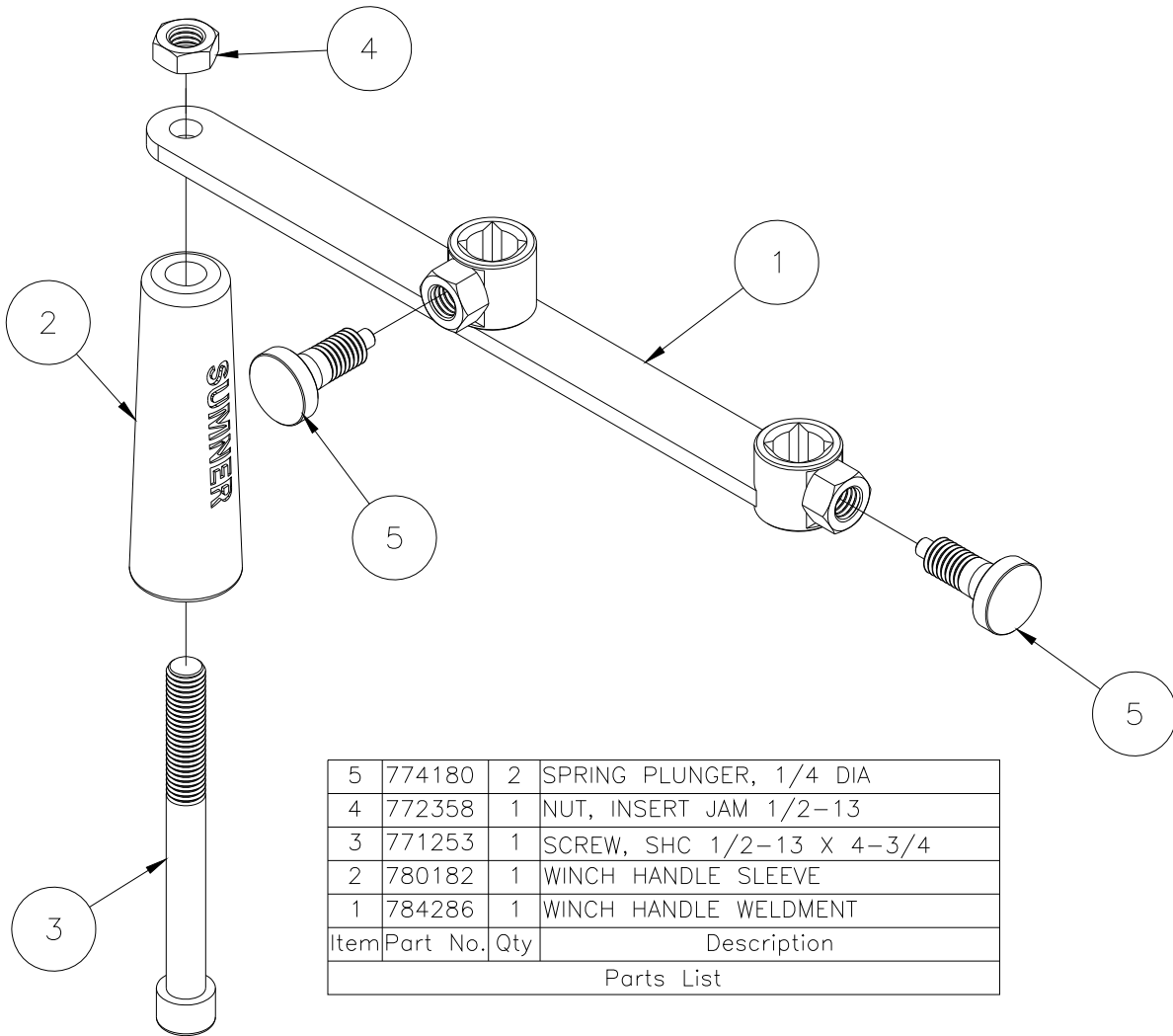


# 784381 – RAIL ASSEMBLY



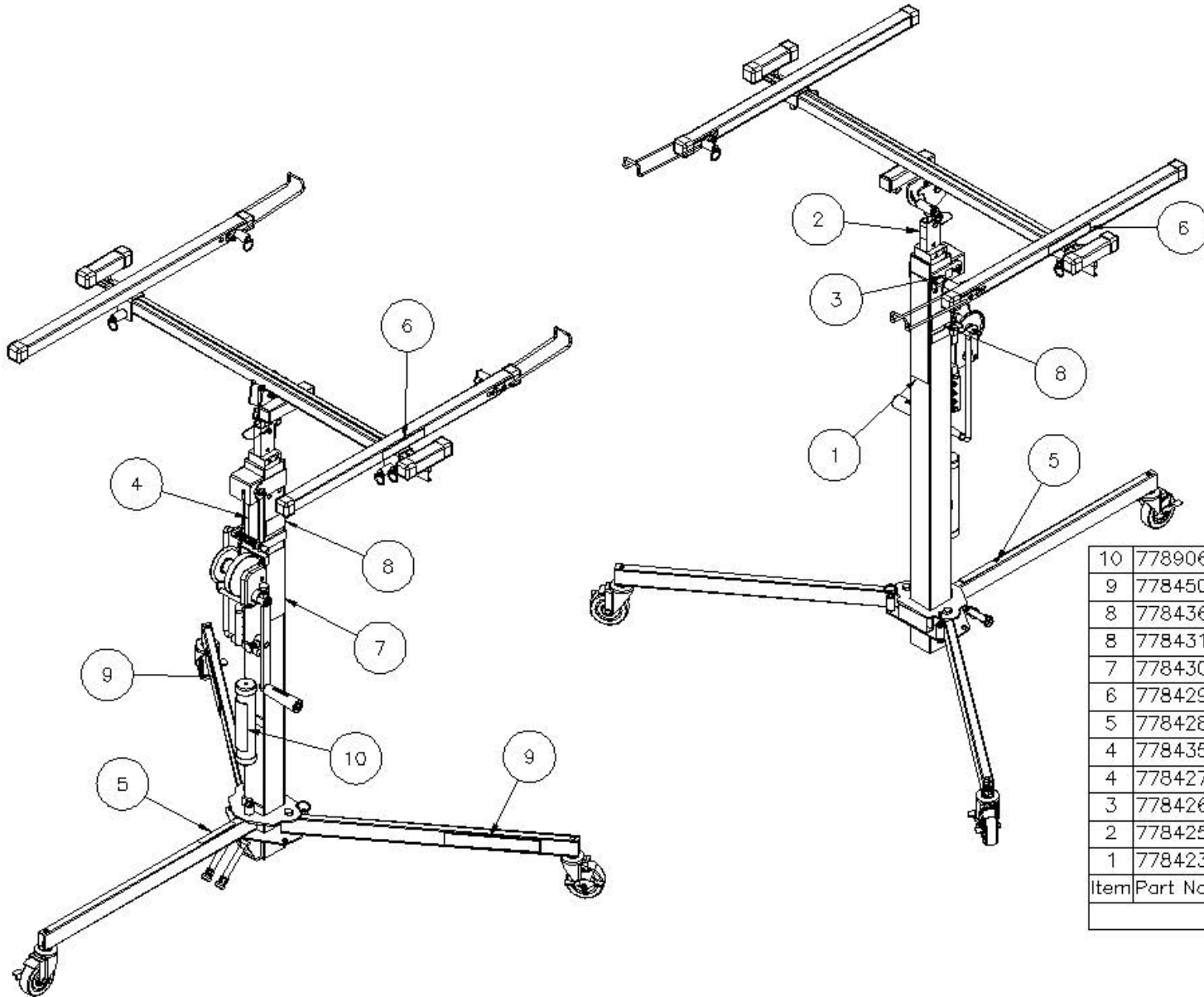
2	779629	2	END CAP
1	784380	1	RAIL WELDMENT
Item	Part No.	Qty	Description
Parts List			

784289 – WINCH HANDLE ASSEMBLY, 2200



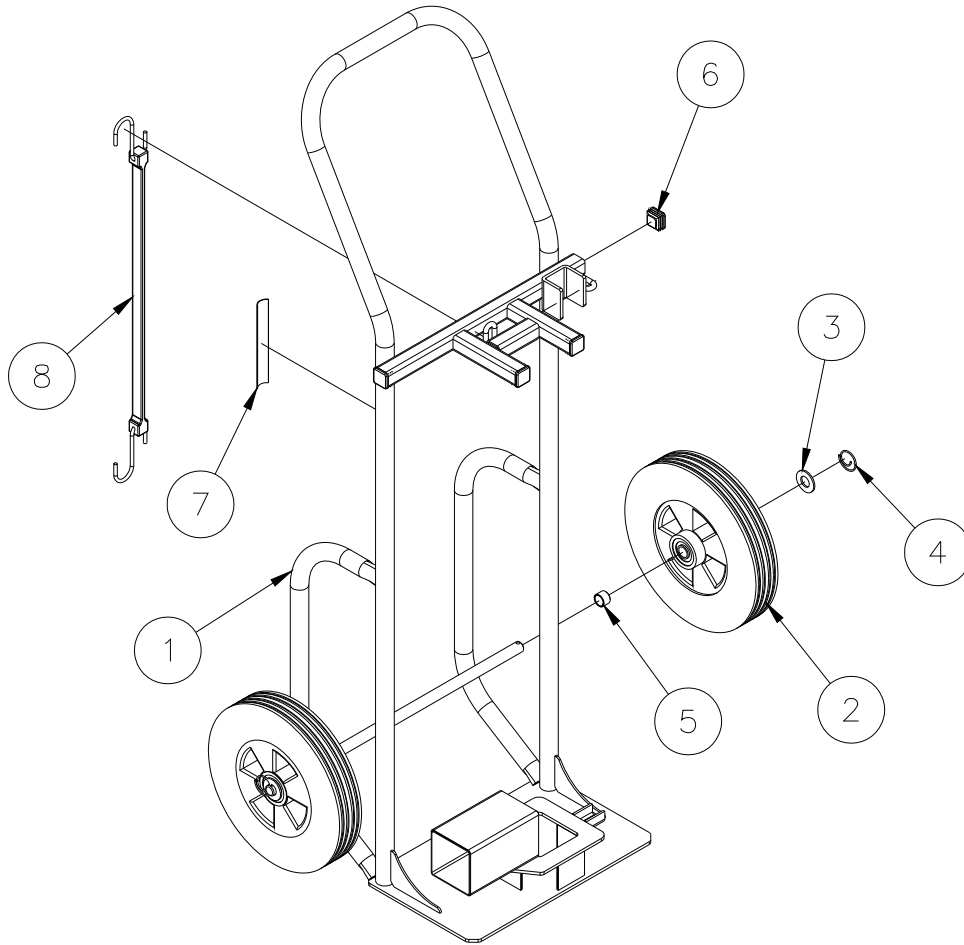
5	774180	2	SPRING PLUNGER, 1/4 DIA
4	772358	1	NUT, INSERT JAM 1/2-13
3	771253	1	SCREW, SHC 1/2-13 X 4-3/4
2	780182	1	WINCH HANDLE SLEEVE
1	784286	1	WINCH HANDLE WELDMENT
Item	Part No.	Qty	Description
Parts List			

## LABEL KIT, 2300 SERIES LIFT



10	778906	1	LABEL, OPERATORS MANUAL
9	778450	2	LABEL, "SUMNER" 2200 LIFT
8	778436	2	LABEL, "MODEL 2315" DRYWALL LIFT
8	778431	2	LABEL, "MODEL 2311" DRYWALL LIFT
7	778430	1	LABEL, "WARNING" DRYWALL LIFT
6	778429	2	LABEL, "WARNING" LOCKING PINS
5	778428	1	LABEL, "WARNING" LIFT LEGS
4	778435	1	LABEL, SUMNER SERIAL NUMBER 2315
4	778427	1	LABEL, SUMNER SERIAL NUMBER 2311
3	778426	1	LABEL, "MAST LATCH"
2	778425	1	LABEL, "WARNING" ENGAGE PIN
1	778423	1	LABEL, "SUMNER" DRYWALL LIFT
Item	Part No.	Qty	Description
Parts List			

# 784510 – DRYWALL LIFT TRUCK



8	779221	1	TIE DOWN STRAP
7	778422	1	LABEL, "DRYWALL LIFT TRUCK"
6	779915	4	CAP, 1" SQ. TUBING, BLK.
5	775053	2	BUSHING, BZ 5/8 X 3/4 X 1/2
4	774054	2	COTTER, CIRCLE Z/P
3	773051	2	WASHER, FLAT 5/8" USS
2	779011	2	WHEEL, 10" RUBBER TIRE
1	784509	1	DRYWALL LIFT TRUCK WELDMENT
Item	Part No.	Qty	Description
Parts List			